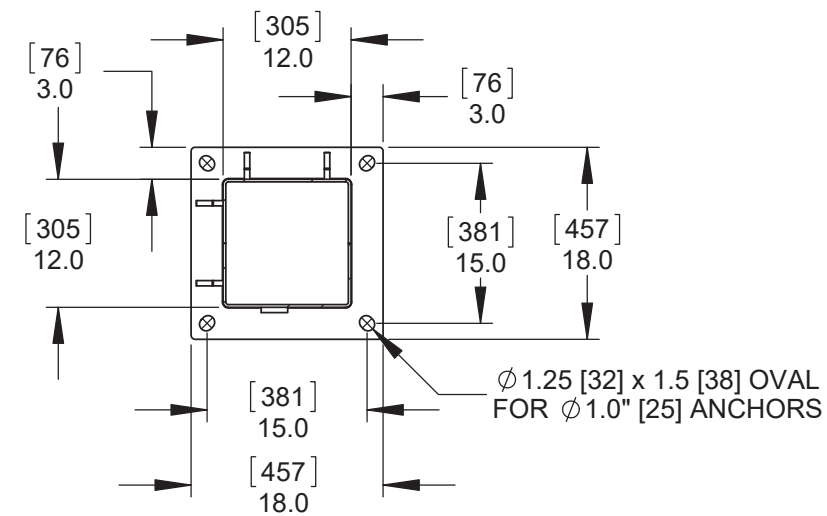


SECTION B-B - COLUMN BASE PLATE

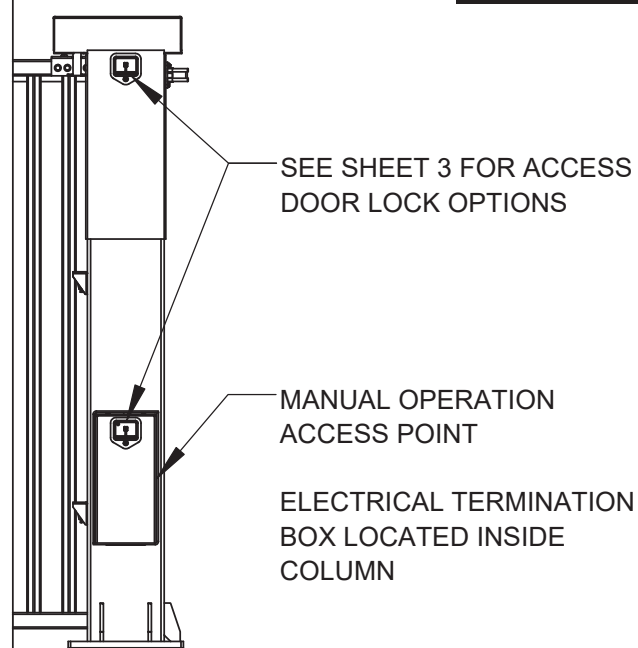


GATE HEIGHTS

6' [1.8M]	72.0" [1829]	
7' [2.1M]	84.0" [2134]	***
8' [2.4M]	96.0" [2438]	
9' [2.7M]	108.0" [2743]	***
10' [3.0M]	120.0" [3048]	

*** 7' [2.1M] & 9' [2.7M] HEIGHTS AVAILABLE BY REQUEST

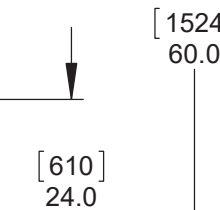
SECTION A-A



NOTE: THE PRIMARY COLUMN IS THE COLUMN THAT IS LOCATED CLOSEST TO THE CONTROL ENCLOSURE

PHOTOCELLS ARE LOCATED ON INTERIOR FACE OF COLUMNS

OPTIONAL 2nd PHOTOCELL

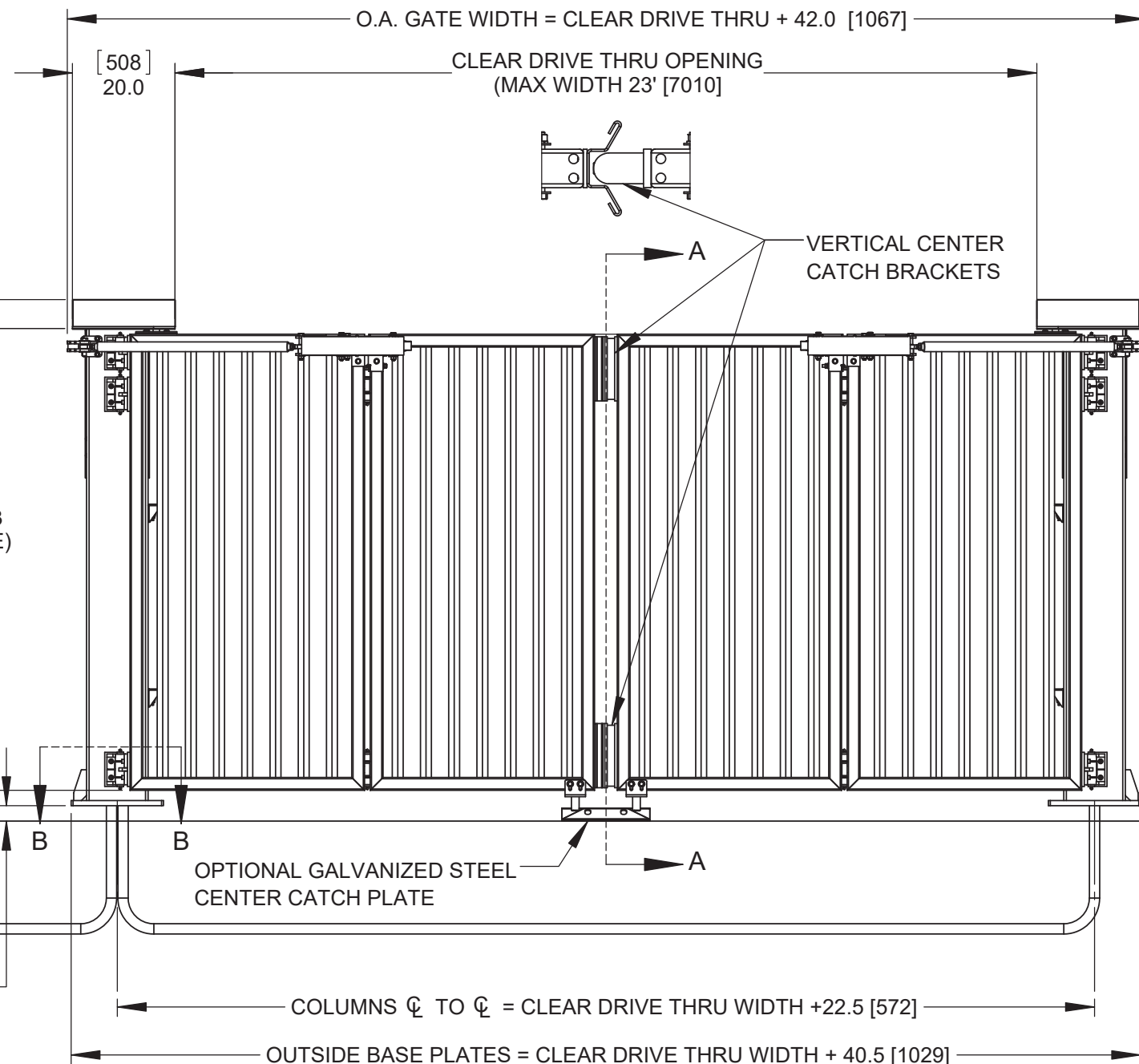
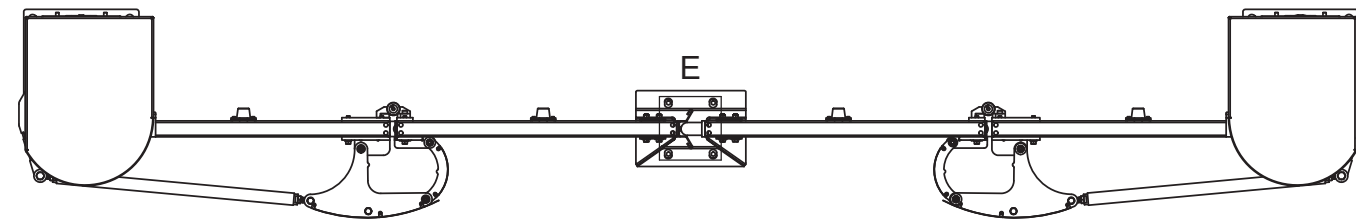
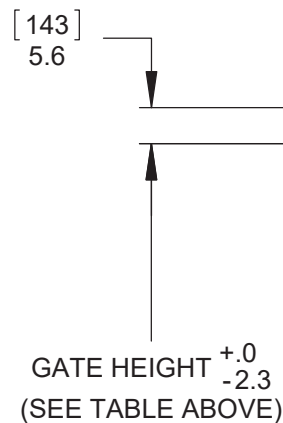


12.0 [305] x 12.0 [305] x .25 [6] COLUMN
18.0 [457] x 18.0 [457] x 1.0 [25] BASE PLATE

2 ELECTRICAL CONTROLLERS ARE MOUNTED IN A 30.0 [762] x 30.0 [762] x 12.0 [305] NEMA 3R ENCLOSURE c/w WIRE HARNESS. STANDARD WIRE HARNESS LENGTH ALLOWS FOR CONTROLLER ENCLOSURE TO BE PLACED UP TO 30' [9144] FROM PRIMARY COLUMN. OPTIONAL EXTENDED WIRE HARNESS IS AVAILABLE WHERE CONTROLLERS ARE TO BE MOUNTED BEYOND STANDARD WIRE HARNESS LENGTH. MAXIMUM WIRE HARNESS LENGTH IS DETERMINED BY DRIVE THRU WIDTH, CONTACT WALLACE PERIMETER SECURITY FOR DETAILS. CONTROLLERS, ENCLOSURE AND WIRE HARNESS BY WALLACE PERIMETER SECURITY CONDUIT, BY OTHERS. SEE SHEET 2 FOR CONDUIT SIZES, QUANTITIES AND REQUIREMENTS. **POWER REQUIREMENTS: 240V, SINGLE PHASE, 20A**

FINISH NOTES: STANDARD FINISH: HOT DIPPED GALVANIZED ON ALL STEEL COMPONENTS. OPTIONAL POWDER COAT PAINT FINISH AVAILABLE.

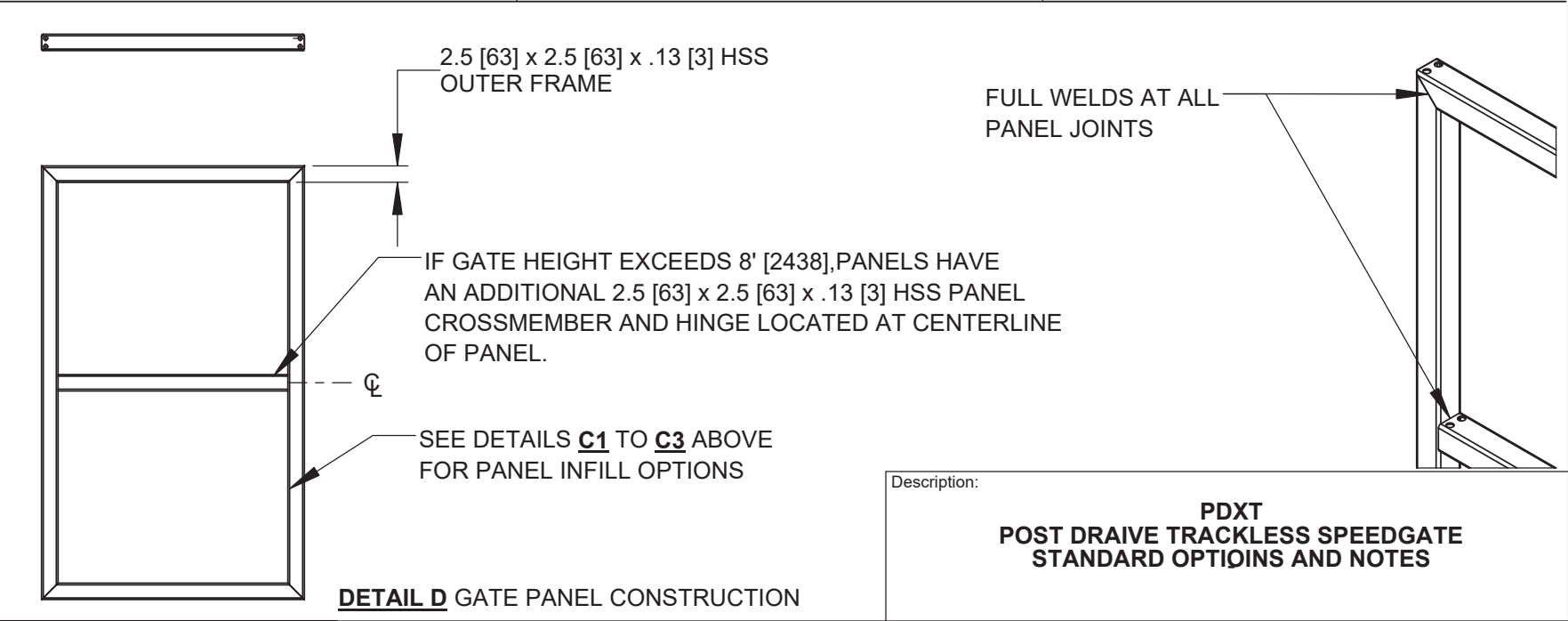
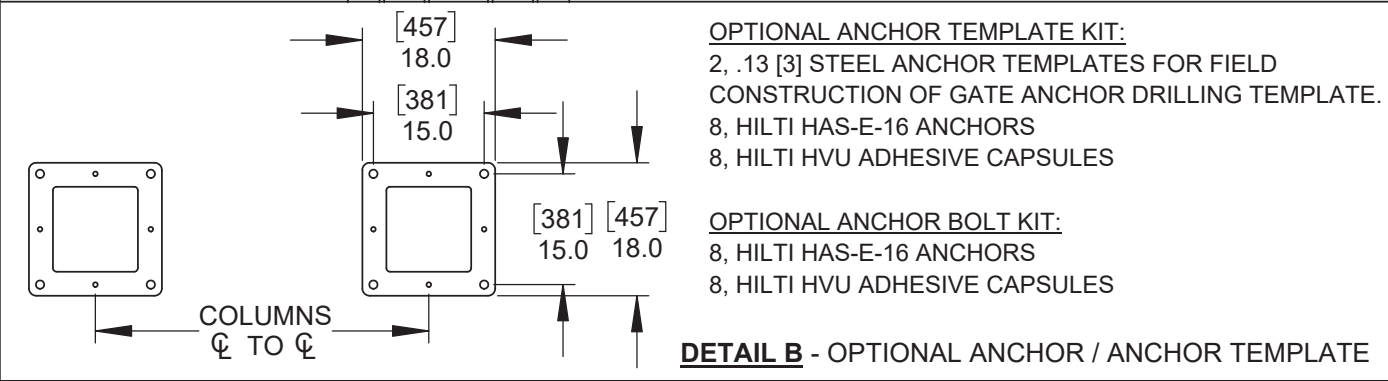
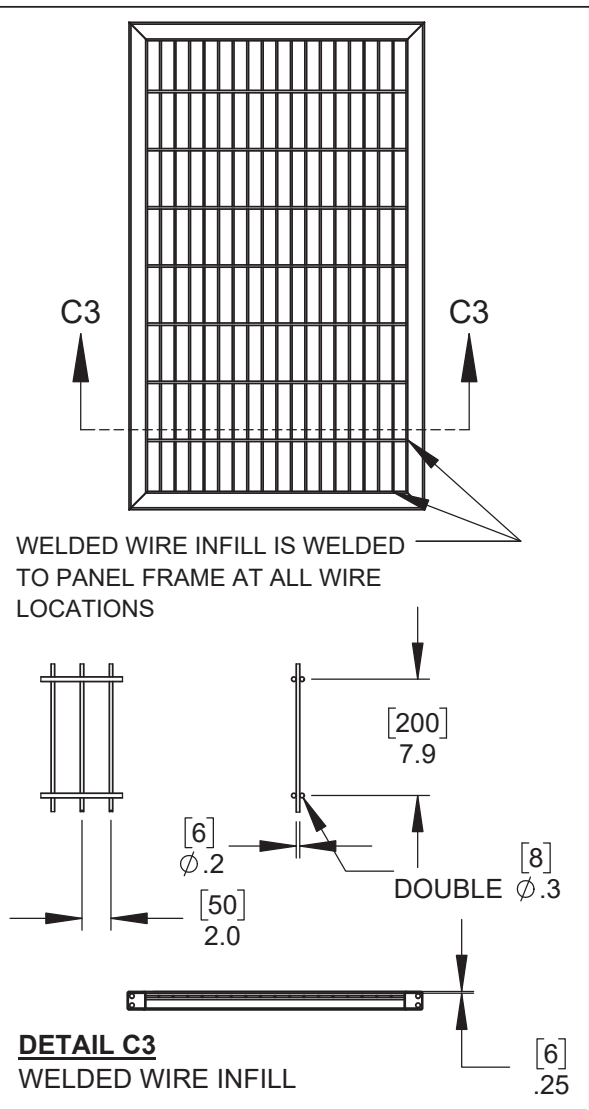
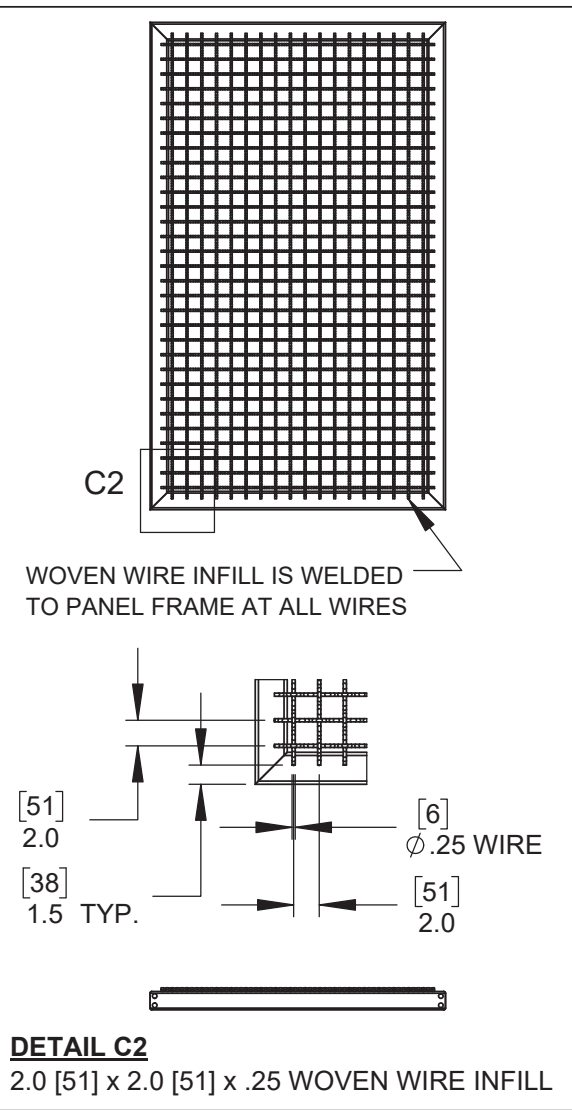
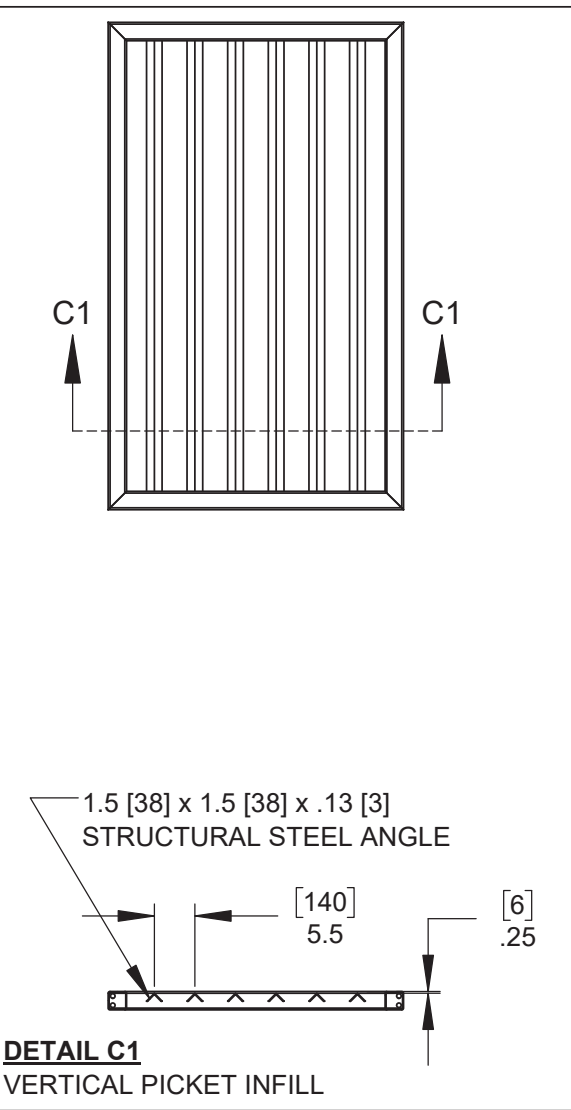
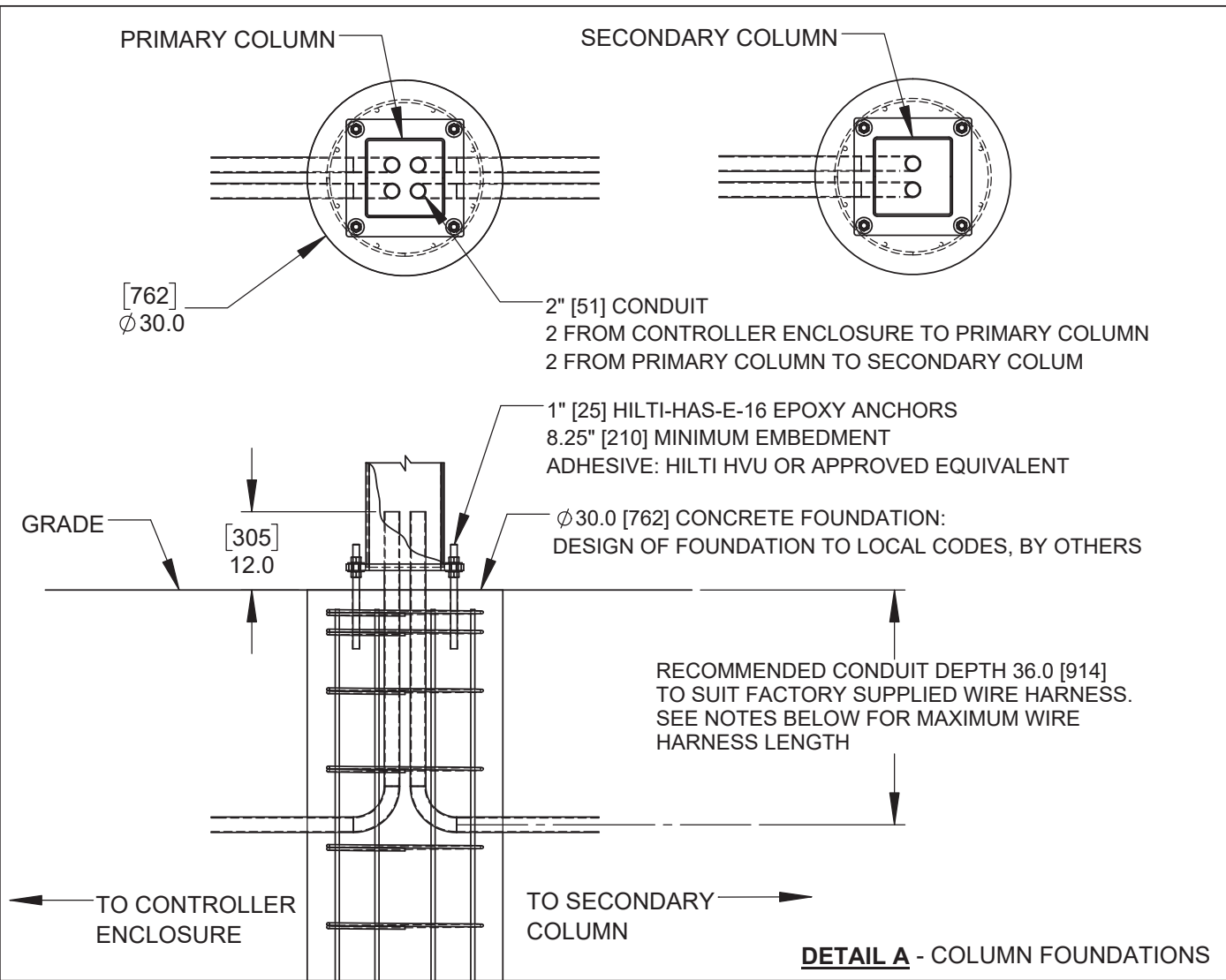
NOTE: DIMENSIONS ARE SHOWN IN INCHES, DIMENSIONS SHOWN IN [] ARE IN MILLIMETERS



Description: PDXT POST DRIVE TRACKLESS SPEEDGATE STANDARD DIMENSIONS		
Customer / Project Name:		
Finish: SEE FINISH NOTES	Date: 2/13/2018	
Drawing No. PDXT-02-12-18	Rev.	Sheet: 1 of 7



115 Lowson Crescent
Winnipeg, Manitoba, Canada, R3P 1A6
Phone: 1-866-300-1110
Fax: 1-204-284-1868
Web: www.wallaceperimetersecurity.com



INCLUDED WITH SPEEDGATE:

- 2 ELECTRONIC GATE CONTROLLERS MOUNTED IN A 30" [762] x 30" [762] x 12" [305] NEMA 3R ENCLOSURE.
- ELECTRICAL HARNESS TO CONNECT GATE CONTROLLERS TO DRIVE COMPONENTS. STANDARD WIRING HARNESS LENGTH ALLOWS FOR THE CONTROL ENCLOSURE TO BE MOUNTED UP TO 30' [9144] FROM PRIMARY COLUMN. OPTIONAL EXTENDED WIRING HARNESS IS AVAILABLE. CONTACT WALLACE PERIMETER SECURITY FOR DETAILS.
- KEY(S) AND LOCK(S) FOR ALL ACCESS PANELS, SEE SHEET 3, DETAILS E1 TO E4 FOR AVAILABLE LOCK OPTIONS.

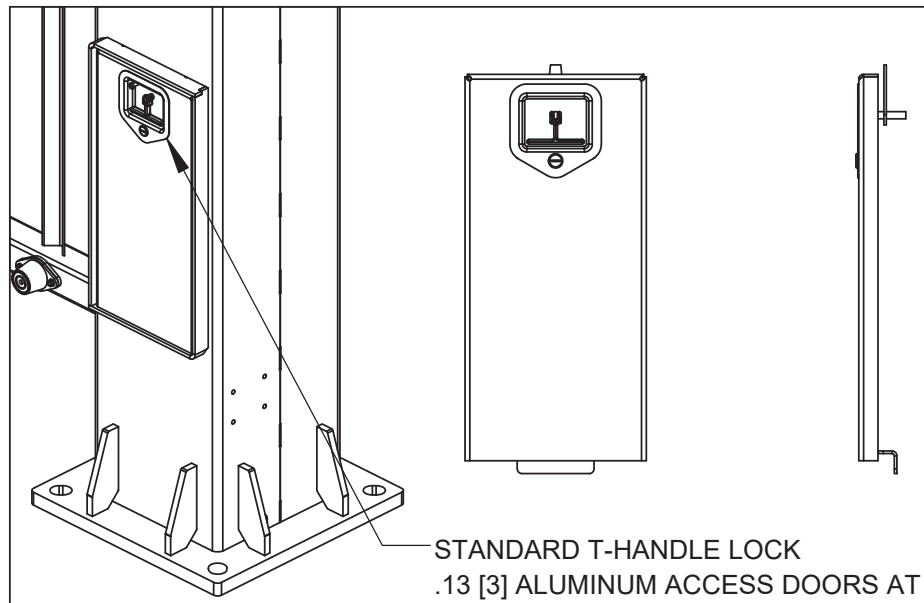
NOT INCLUDED WITH SPEEDGATE:

- GATE MOUNTING HARDWARE, OPTIONAL ANCHOR BOLT OR ANCHOR BOLT & TEMPLATE KITS AVAILABLE.
- VEHICLE DETECTION LOOPS
- GROUT TO FILL GAP UNDER COLUMN BASE PLATES WHEN GATE INSTALLATION / LEVELING IS COMPLETE

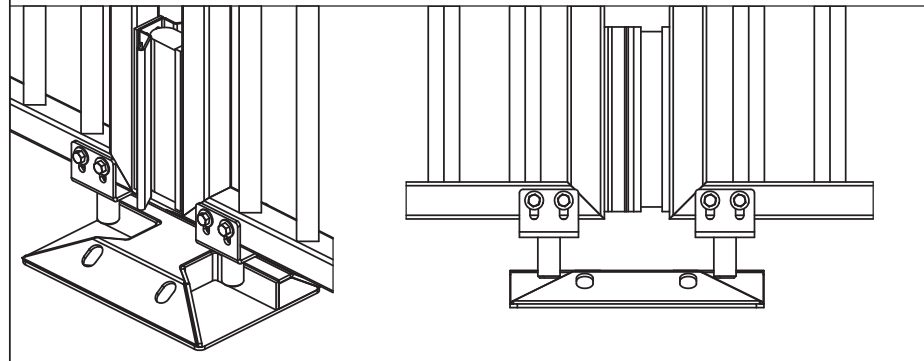
WALLACE PERIMETER SECURITY

115 Lowson Crescent
Winnipeg, Manitoba, Canada, R3P 1A6
Phone: 1-866-300-1110
Fax: 1-204-284-1868
Web: www.wallaceperimetersecurity.com

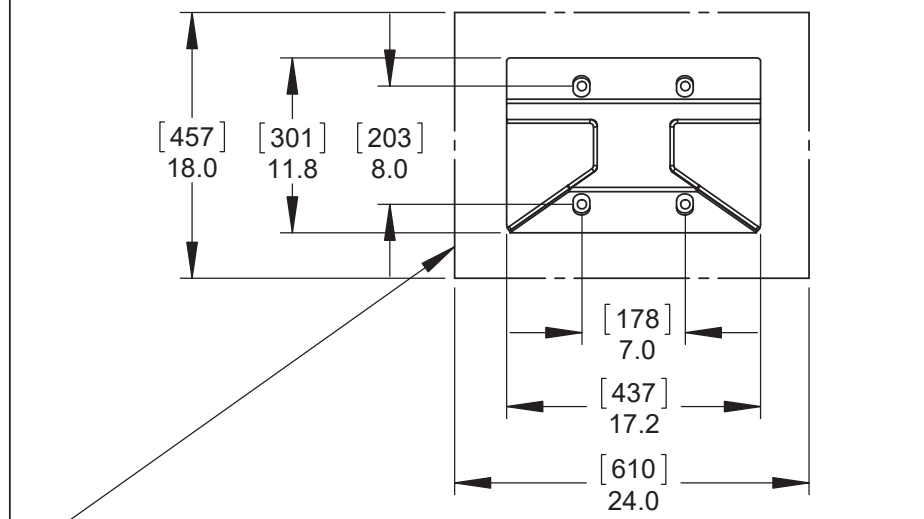
Description: PDXT POST DRAIVE TRACKLESS SPEEDGATE STANDARD OPTIOINS AND NOTES		
Customer / Project Name:		
Finish: SEE FINISH NOTES ON SHEET 1	Date: 3/21/2019	
Drawing No. PDXT-02-12-18	Rev.	Sheet: 2 of 7



DETAIL E1
STANDARD T-HANDLE ACCESS POINT LOCK



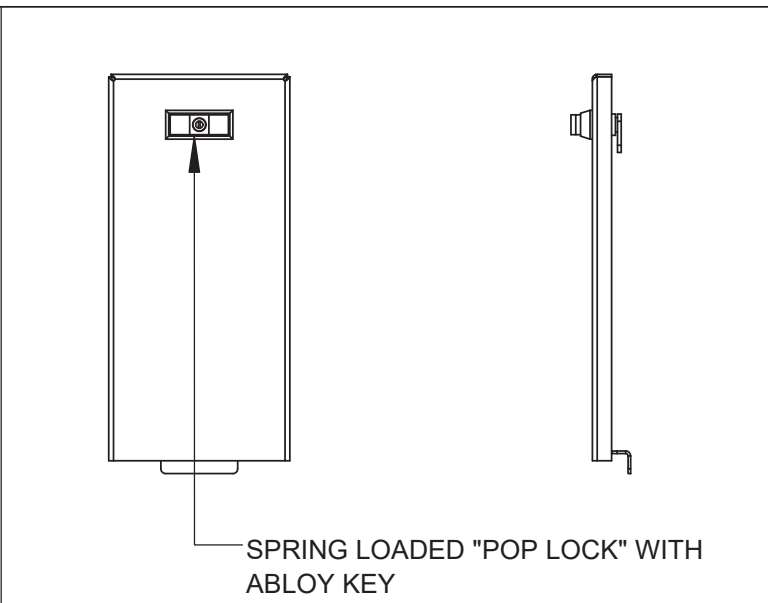
DETAIL E2
OPTIONAL HIGH SECURITY LOCK



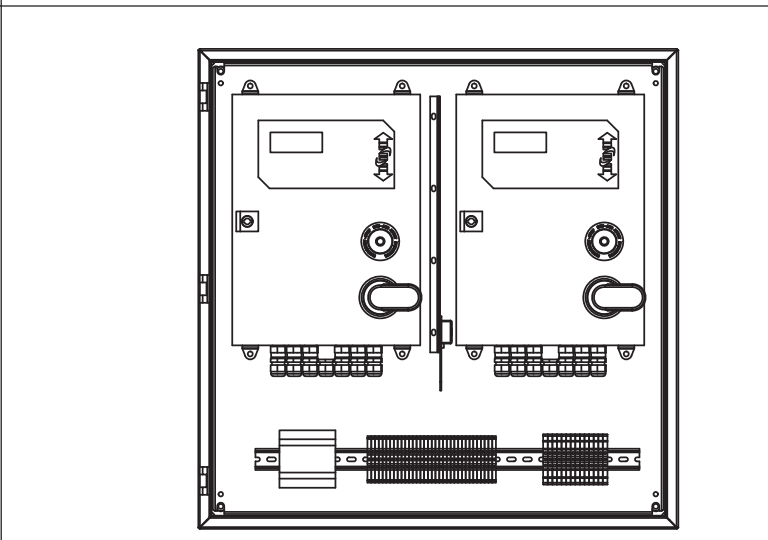
CENTER CATCH PLATE MUST BE ANCHORED TO A SUITABLE ROADWAY SURFACE. IF ROADWAY IS NOT SUITABLE FOR ANCHORING, A 24.0" [610] x 18.0 [457] PAD MUST BE INSTALLED.

CENTER CATCH PLATE IS SUPPLIED WITH 4, 1/2" [13] x 5" [127] WEDGE ANCHORS.

DETAIL G OPTIONAL CENTER CATCH PLATE



DETAIL E3
OPTIONAL DETENTION GRADE LOCK

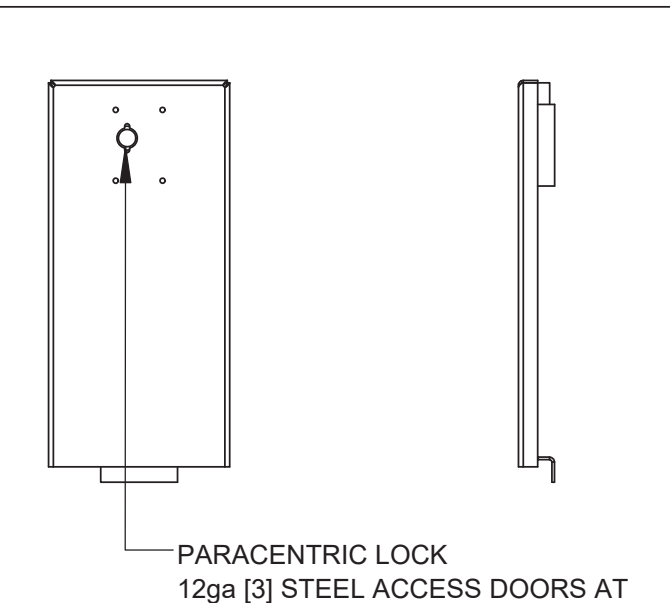


THE NEMA 3R CONTROLLER ENCLOSURE CAN BE FITTED WITH OPTIONAL HEATING OR COOLING KITS TO ACCOMMODATE A WIDE RANGE OF TEMPERATURES.

OPTIONAL HOT WEATHER KIT INCLUDES:
EXHAUST FAN, VENT GRILLES, RAIN SHROUDS AND THERMOSTAT.

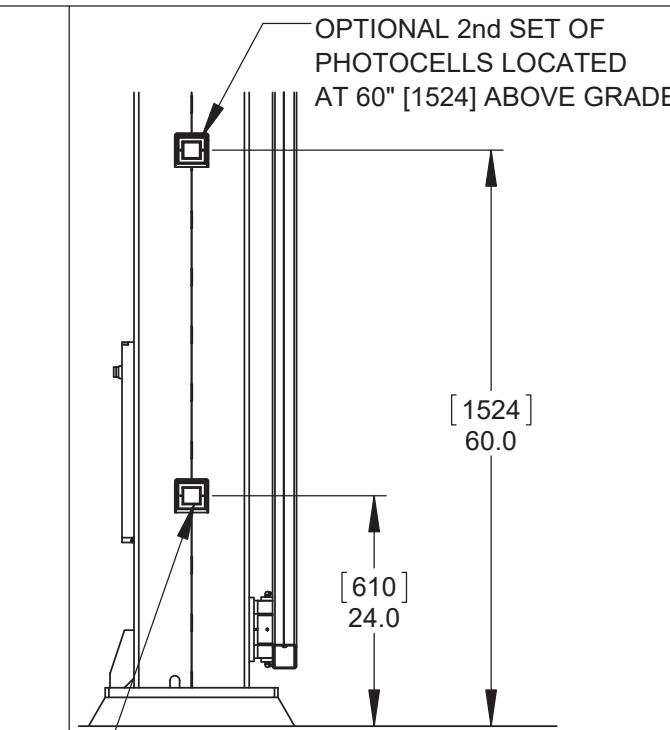
OPTIONAL COLD WEATHER KIT INCLUDES:
320 WATT SELF-REGULATING HEATER, THERMAL COVER. THERMAL COVER IS ONLY AVAILABLE IF CONTROLLER ENCLOSURE IS FREE STANDING.

DETAIL H ENVIRONMENTAL CONTROLS



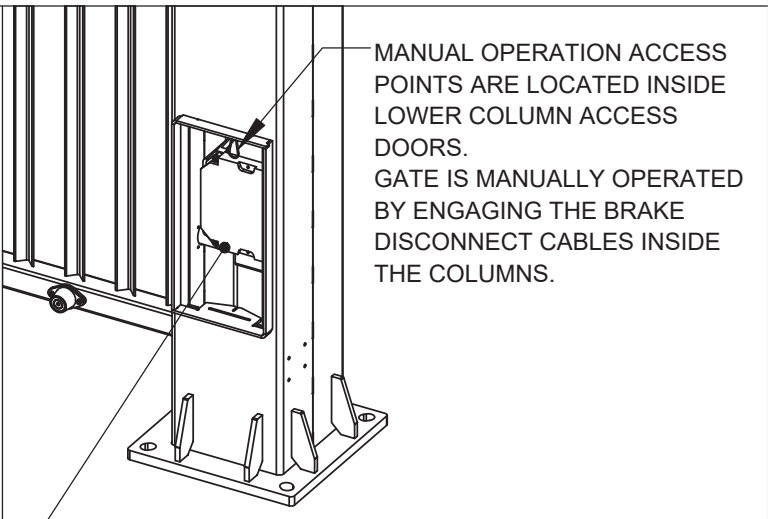
STANDARD:
CAM LOCK (x2)
OPTION 1:
HIGH SECURITY, POP LOCK @ CL OF DOOR
OPTION 1:
DETENTION GRADE, PARACENTRIC LOCK @ CL OF DOOR

DETAIL F CONTROLLER ENCLOSURE LOCK



ALL SPEEDGATES ARE SUPPLIED WITH 1 SET OF PHOTOCELLS LOCATED AT 24" [610] ABOVE GRADE

DETAIL I PHOTOCELLS

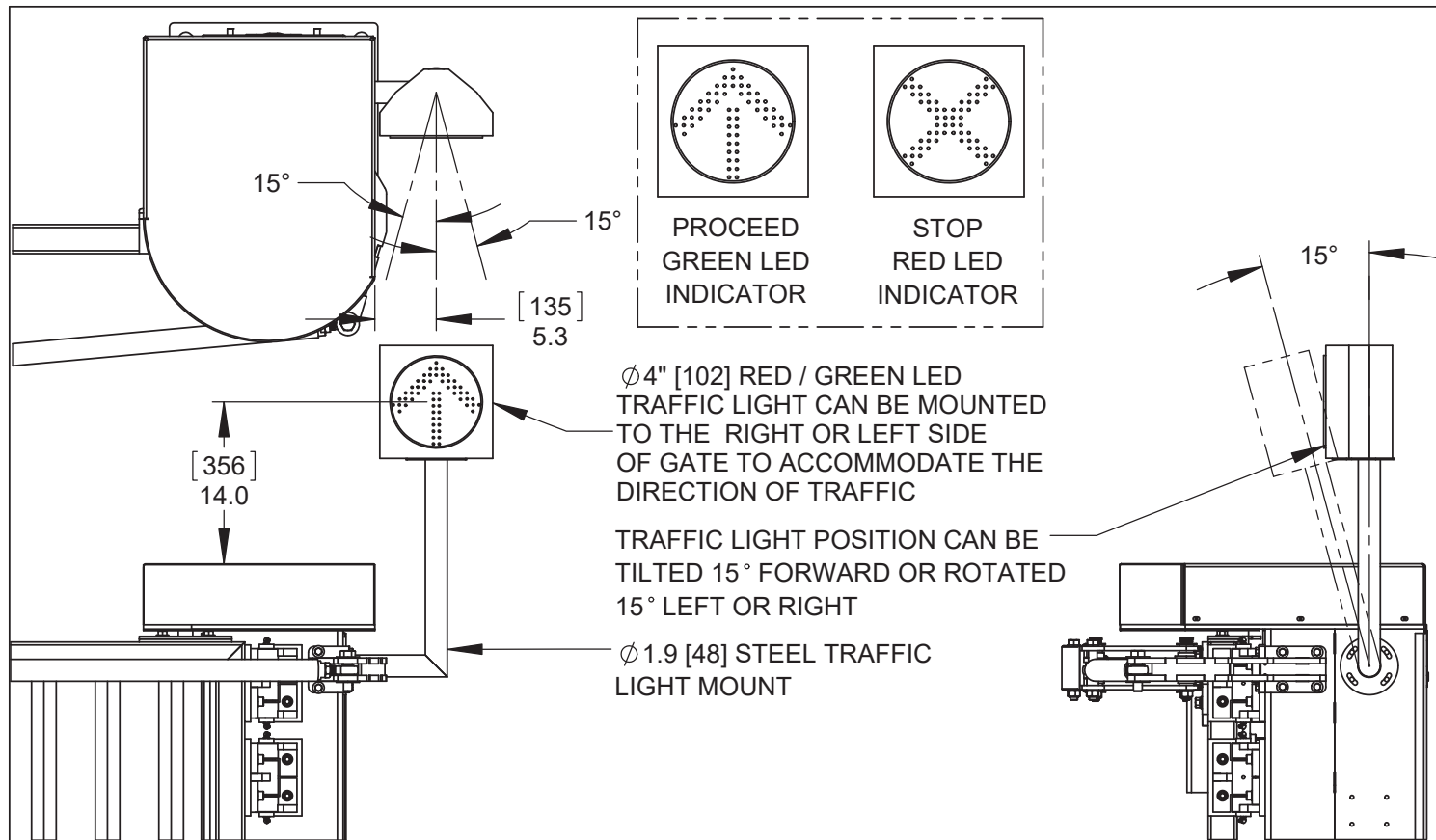


COLUMN ELECTRICAL TERMINATION BOX IS LOCATED INSIDE LOWER ACCESS DOOR OF PRIMARY COLUMN. PRIMARY COLUMN IS THE COLUMN LOCATED CLOSEST TO THE CONTROLLER ENCLOSURE

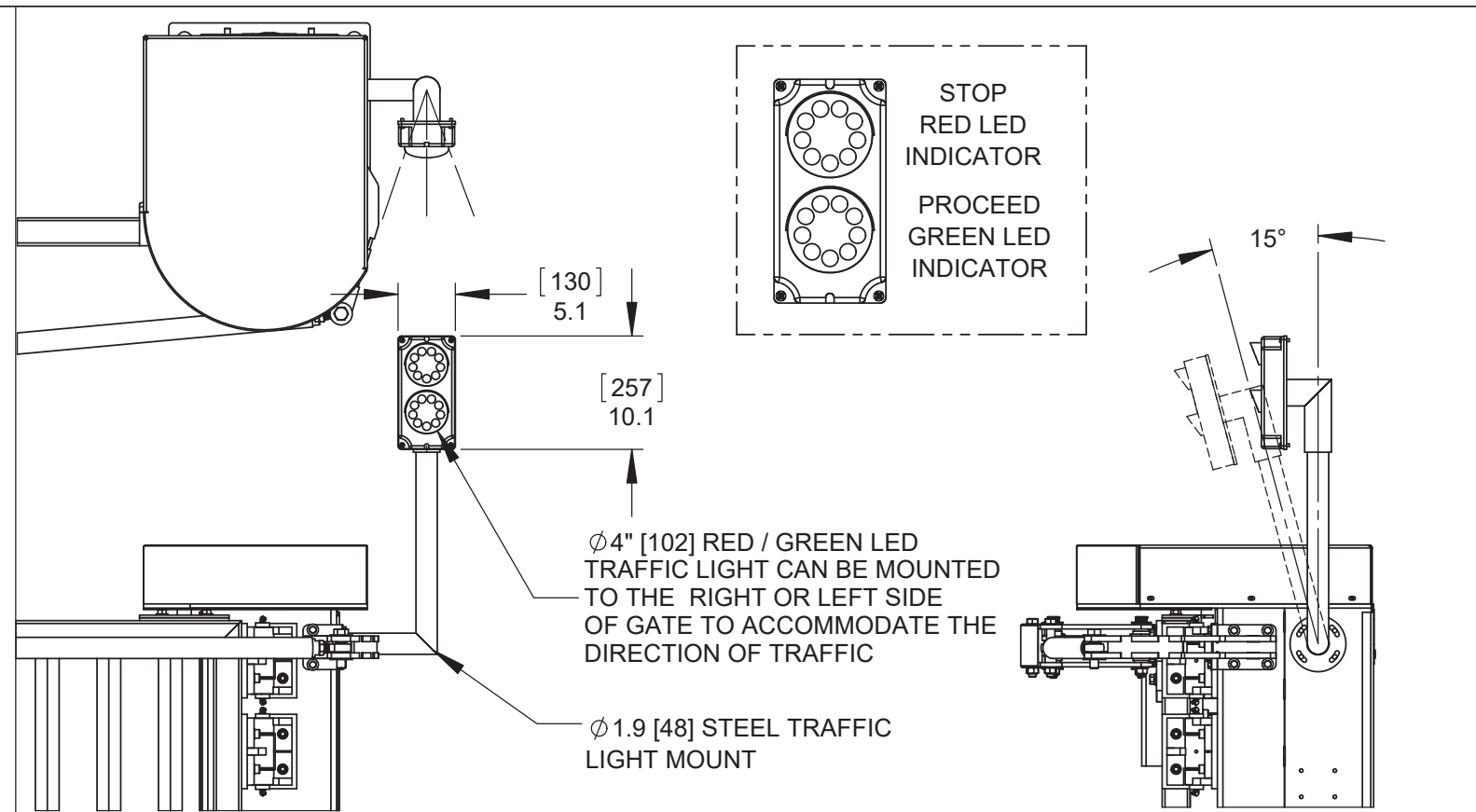
DETAIL J MANUAL OPERATION ACCESS POINT / COLUMN ELECTRICAL TERMINATION

115 Lowson Crescent
Winnipeg, Manitoba, Canada, R3P 1A6
Phone: 1-866-300-1110
Fax: 1-204-284-1868
Web: www.wallaceperimetersecurity.com

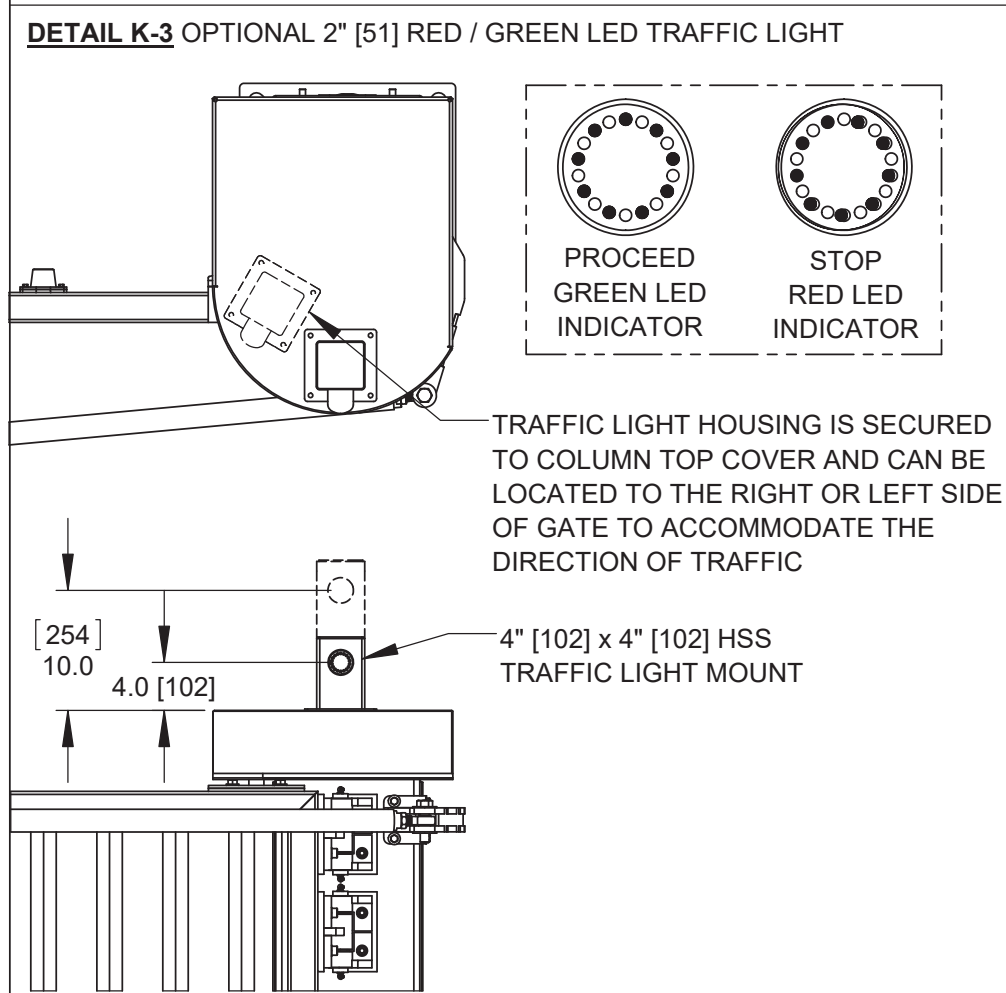
Description:		
PDXT POST DRIVE TRACKLESS SPEEDGATE STANDARD NOTES AND OPTIONS		
Customer / Project Name:		
Finish:	Date:	
SEE FINISH NOTES	2/13/2018	
Drawing No.	Rev.	Sheet:
PDXT-02-12-18	-	3 of 7



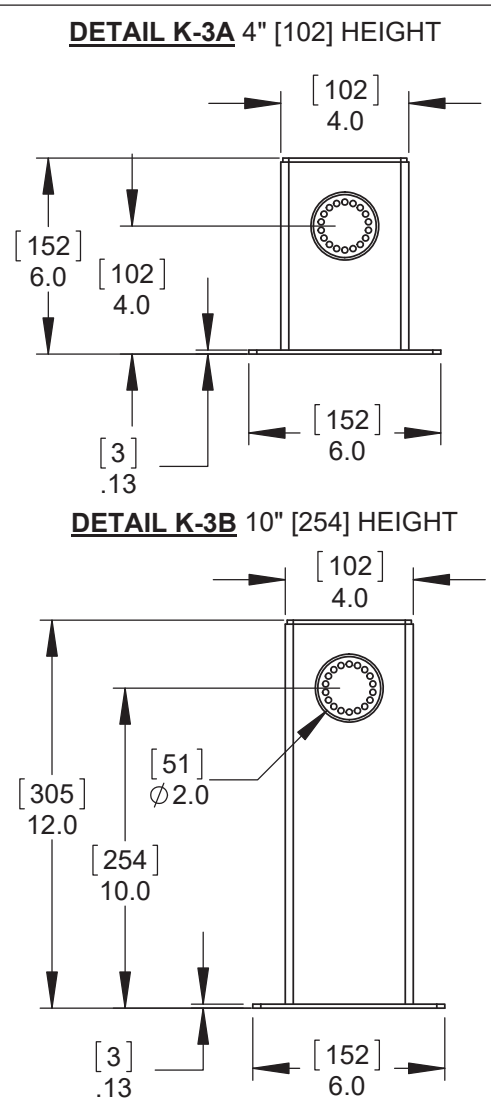
DETAIL K-1 OPTIONAL 8" [203] RED / GREEN LED TRAFFIC LIGHT



DETAIL K-2 OPTIONAL 4" [102] RED / GREEN LED TRAFFIC LIGHT

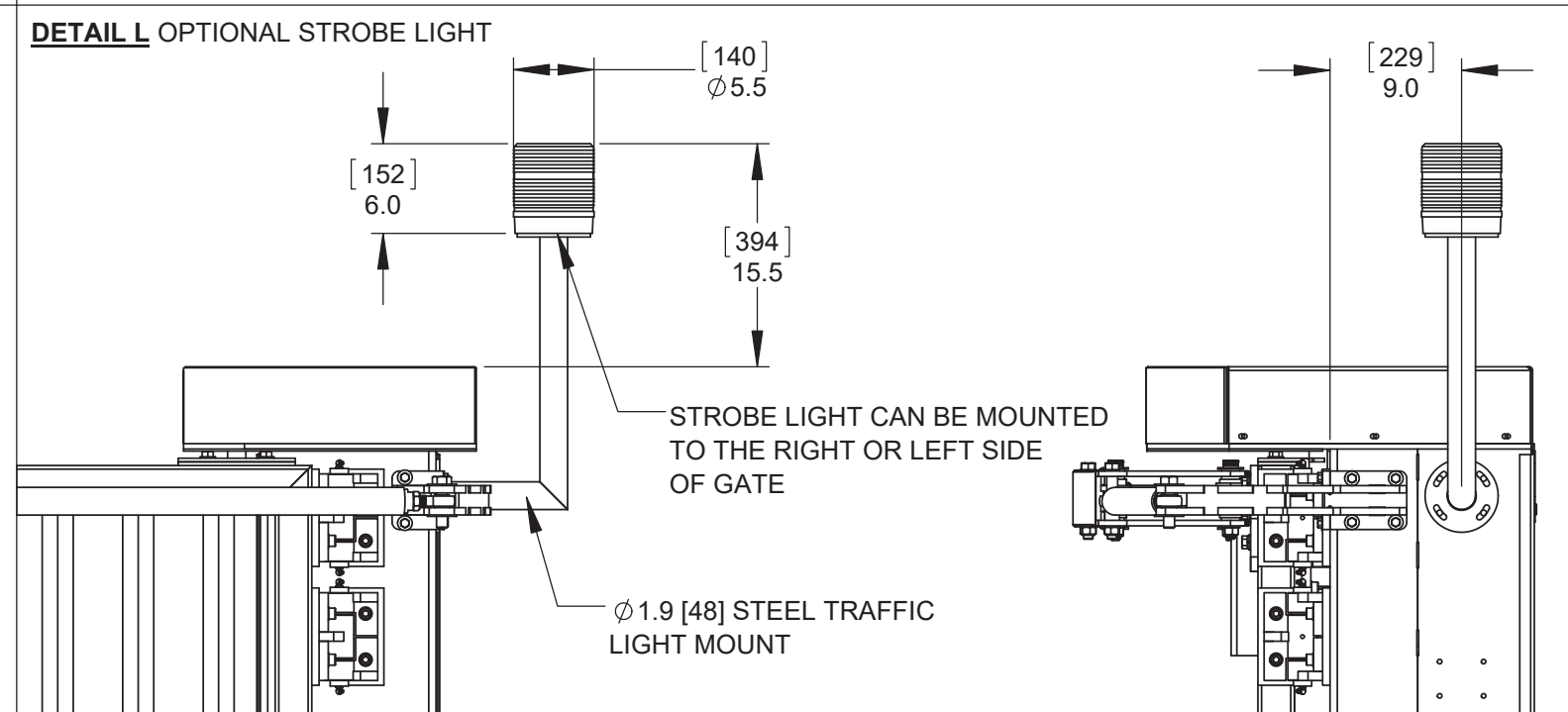


DETAIL K-3 OPTIONAL 2" [51] RED / GREEN LED TRAFFIC LIGHT



DETAIL K-3A 4" [102] HEIGHT

DETAIL K-3B 10" [254] HEIGHT



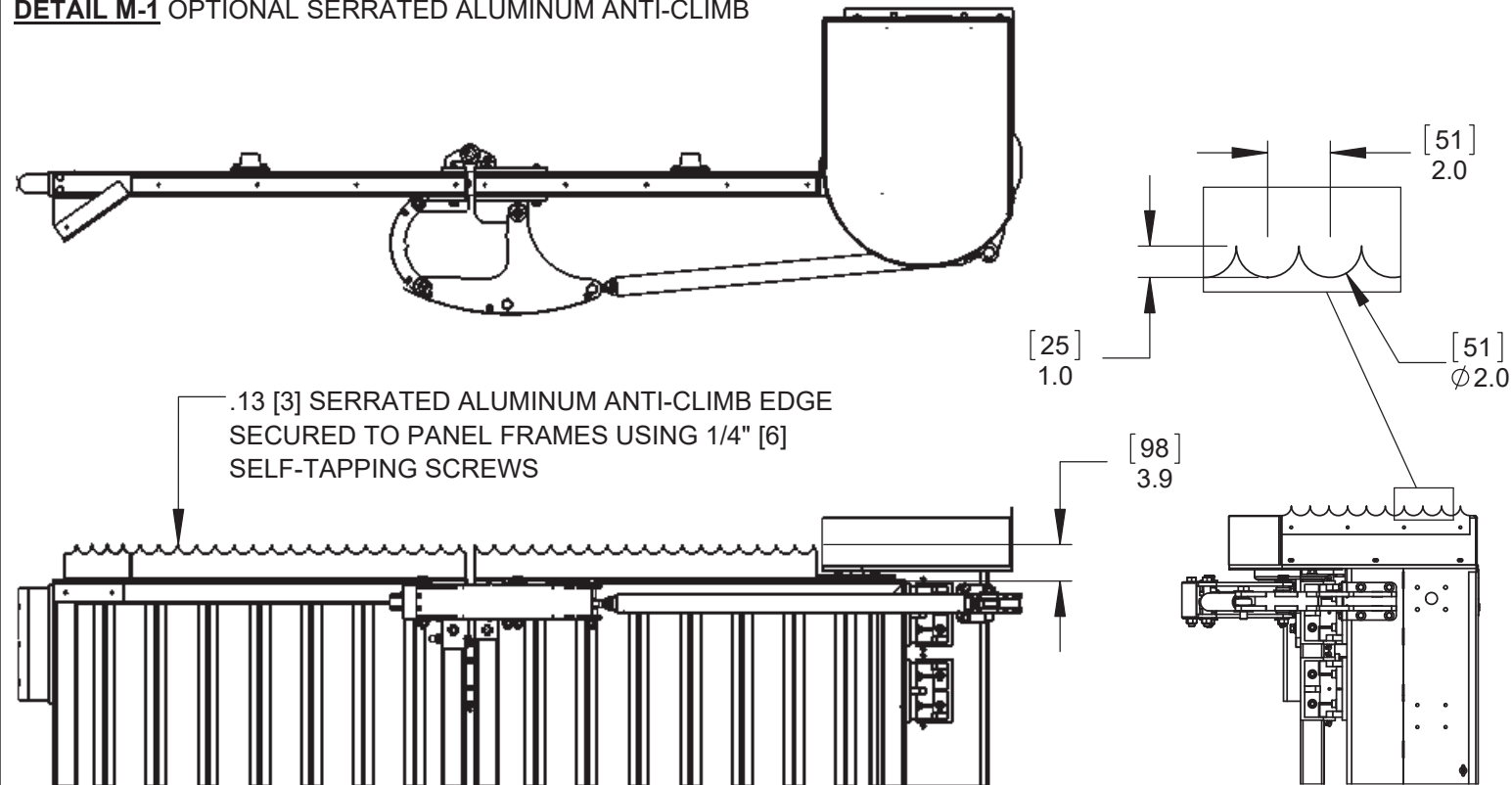
DETAIL L OPTIONAL STROBE LIGHT



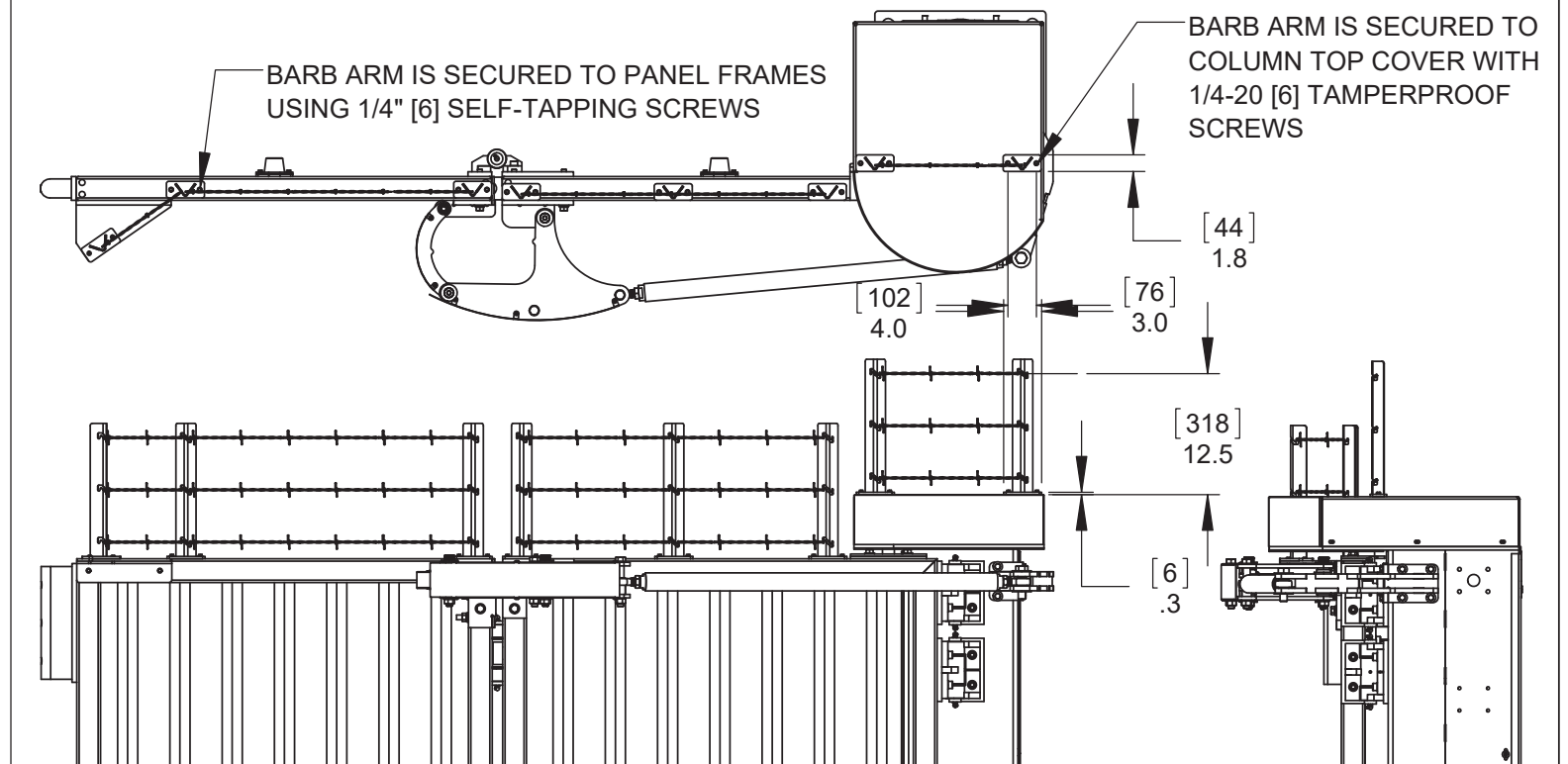
115 Lowson Crescent
 Winnipeg, Manitoba, Canada, R3P 1A6
 Phone: 1-866-300-1110
 Fax: 1-204-284-1868
 Web: www.wallaceperimetersecurity.com

Description: PDXT POST DRIVE TRACKLESS SPEEDGATE STANDARD NOTES AND OPTIONS		
Customer / Project Name:		
Finish: SEE FINISH NOTES	Date: 2/13/2018	
Drawing No. PDXT-02-12-18	Rev.	Sheet: 4 of 7

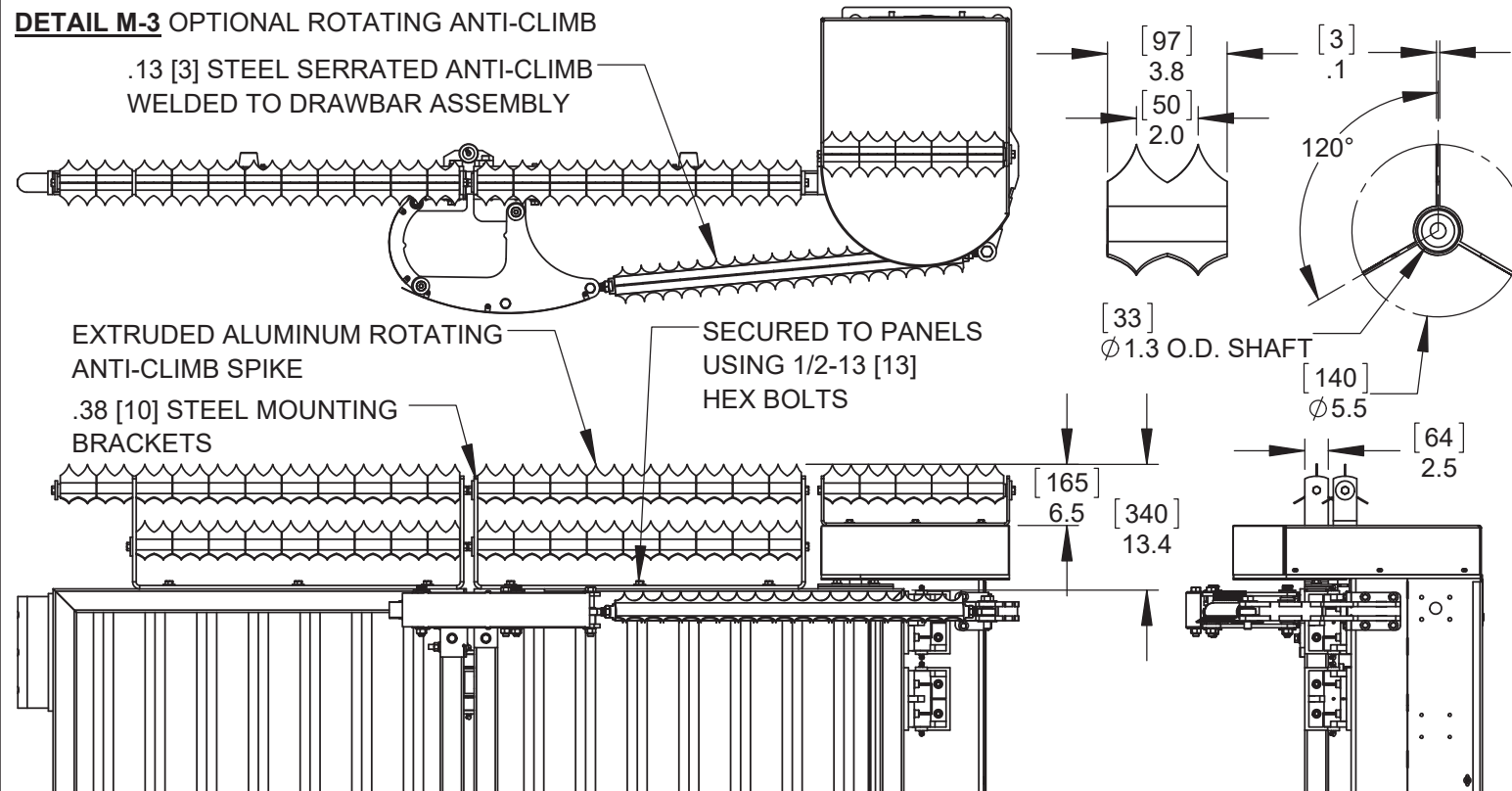
DETAIL M-1 OPTIONAL SERRATED ALUMINUM ANTI-CLIMB



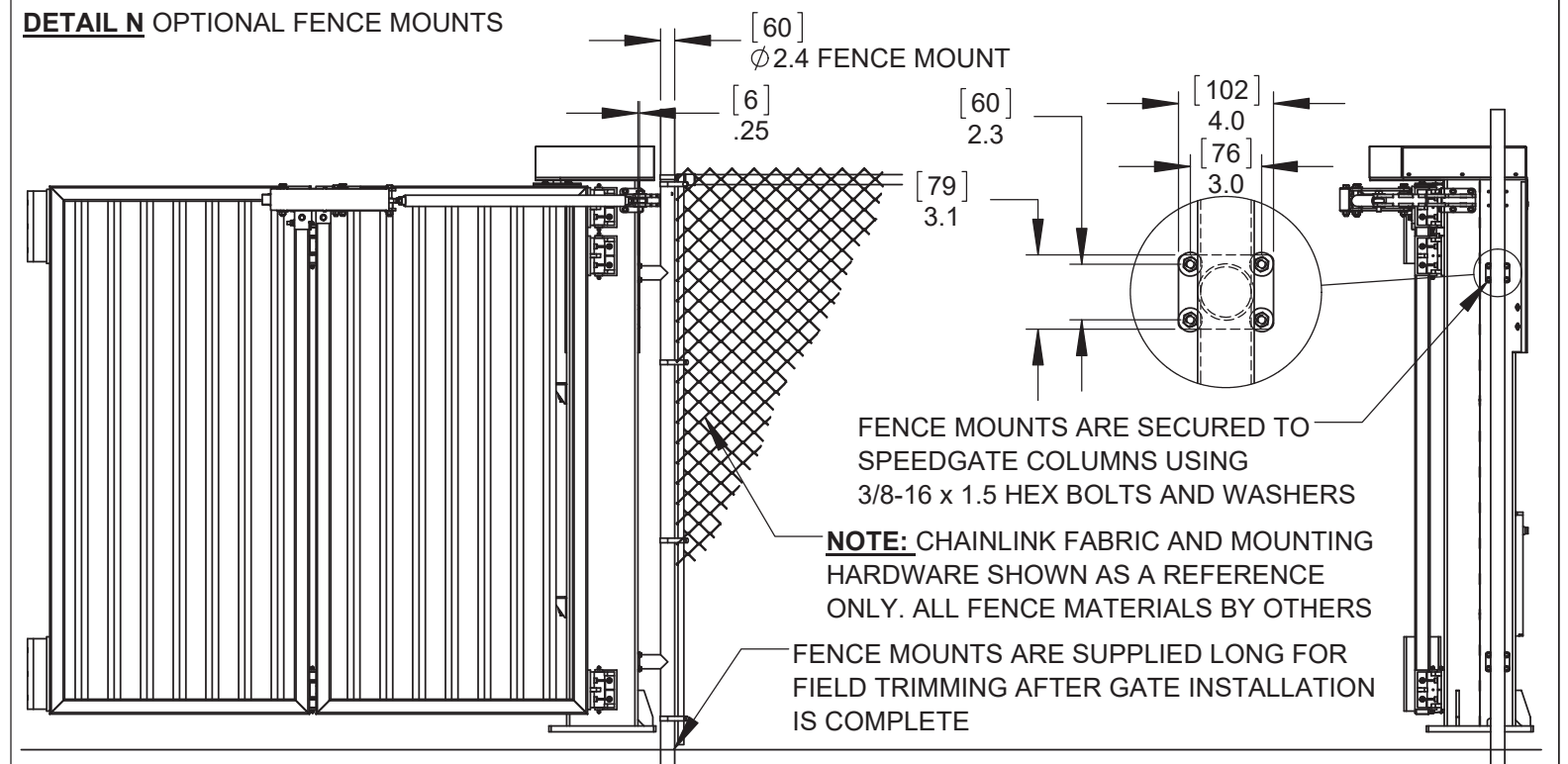
DETAIL M-2 BARBED WIRE ANTI-CLIMB



DETAIL M-3 OPTIONAL ROTATING ANTI-CLIMB



DETAIL N OPTIONAL FENCE MOUNTS



Description:
**PDXT
 POST DRIVE TRACKLESS SPEEDGATE
 STANDARD NOTES AND OPTIONS**

Customer / Project Name:

Finish:
SEE FINISH NOTES

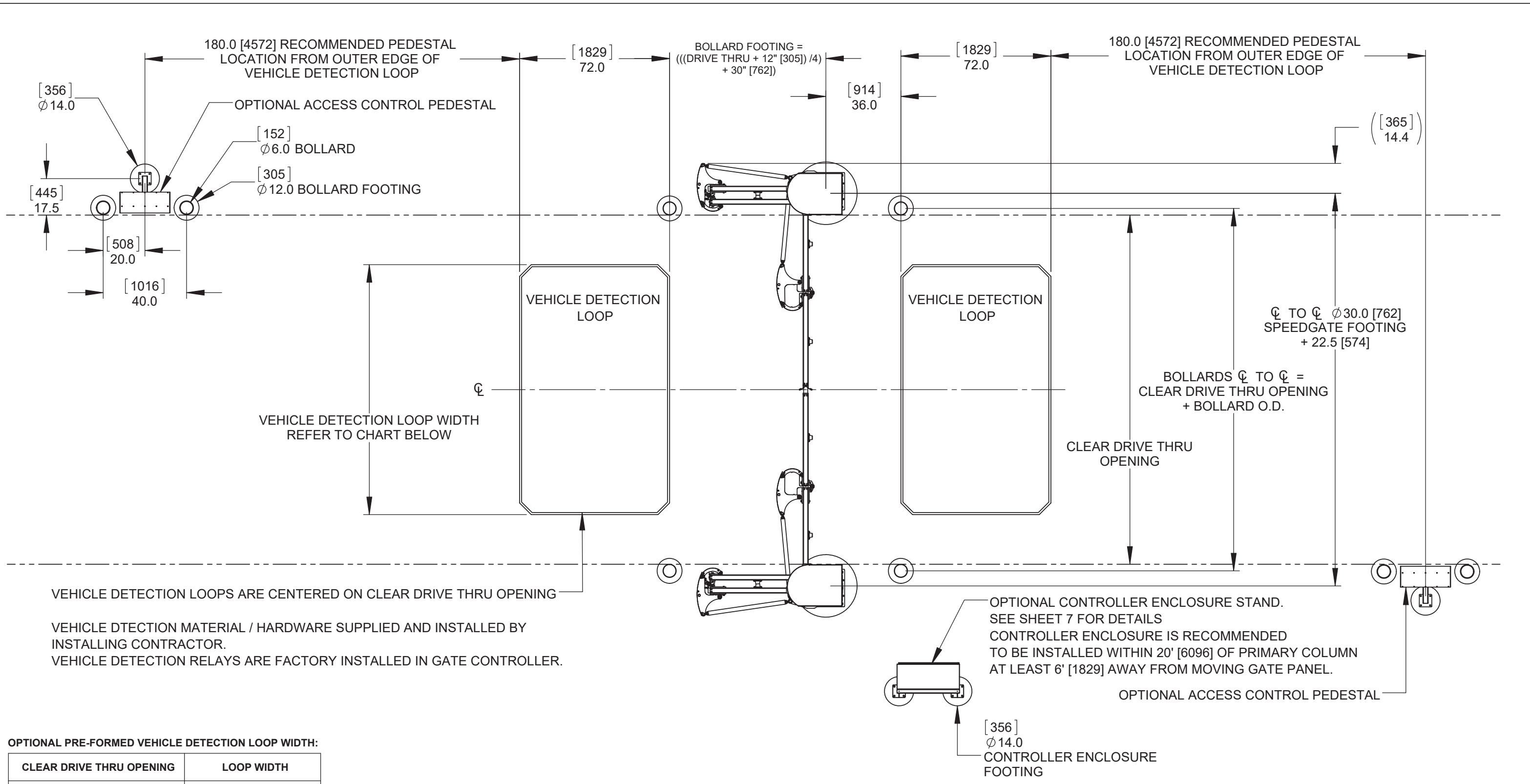
Date:
2/13/2018

Drawing No.
PDXT-02-12-18

Rev.

Sheet:
5 of 7

115 Lowson Crescent
 Winnipeg, Manitoba, Canada, R3P 1A6
 Phone: 1-866-300-1110
 Fax: 1-204-284-1868
 Web: www.wallaceperimetersecurity.com



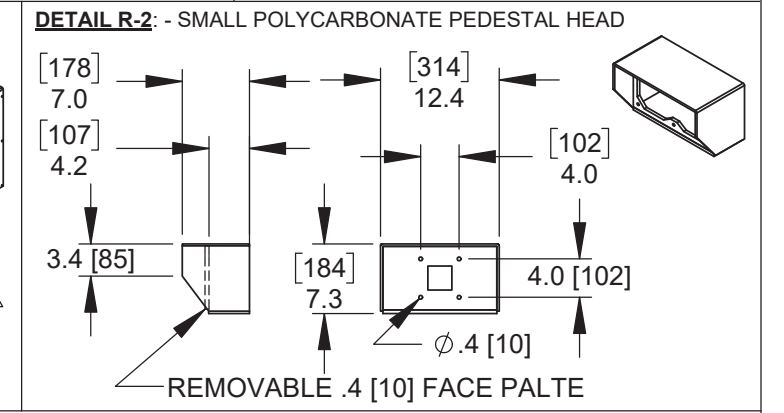
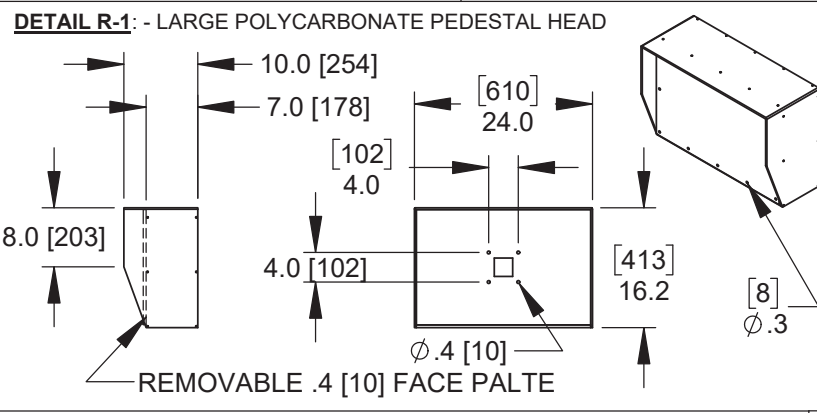
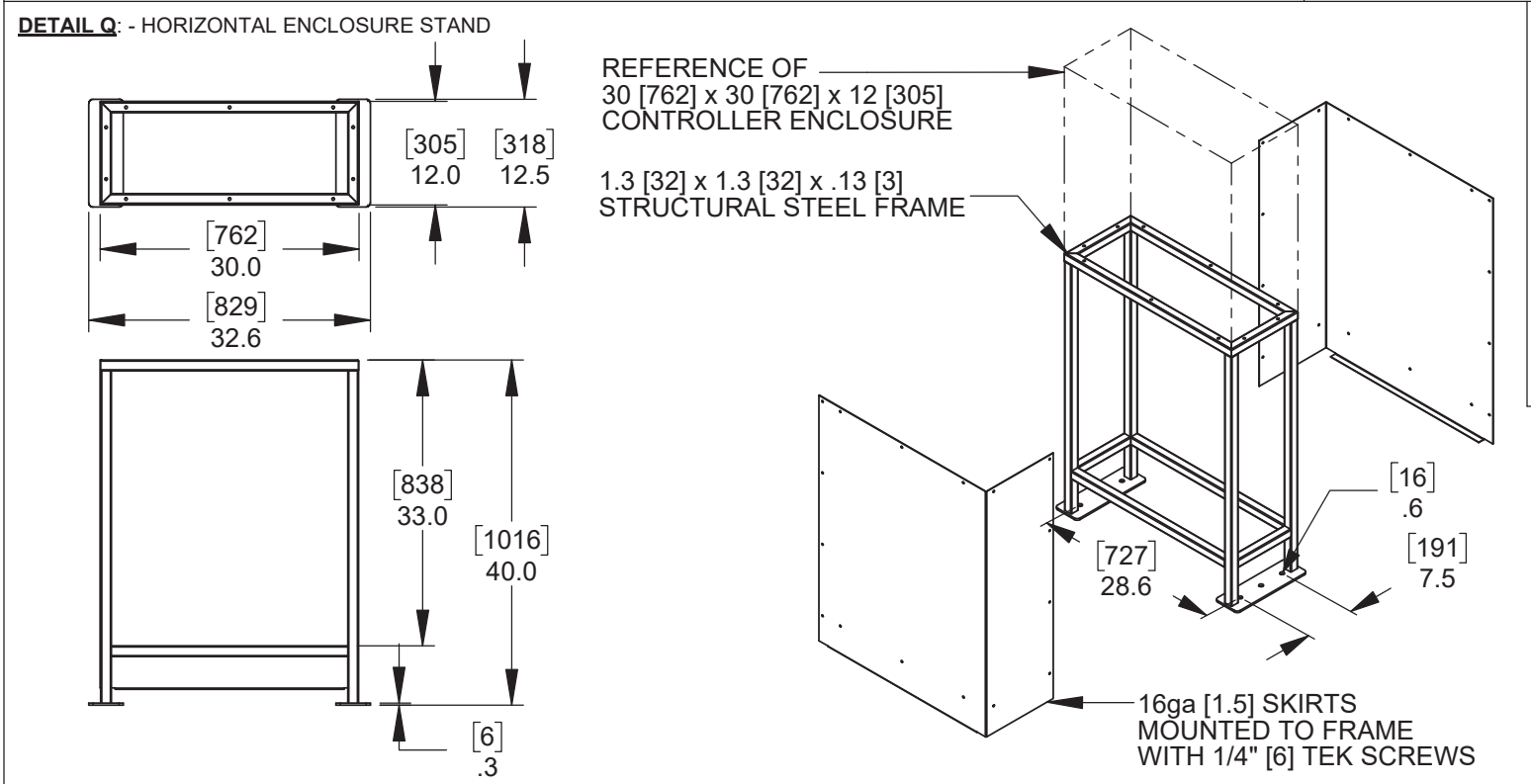
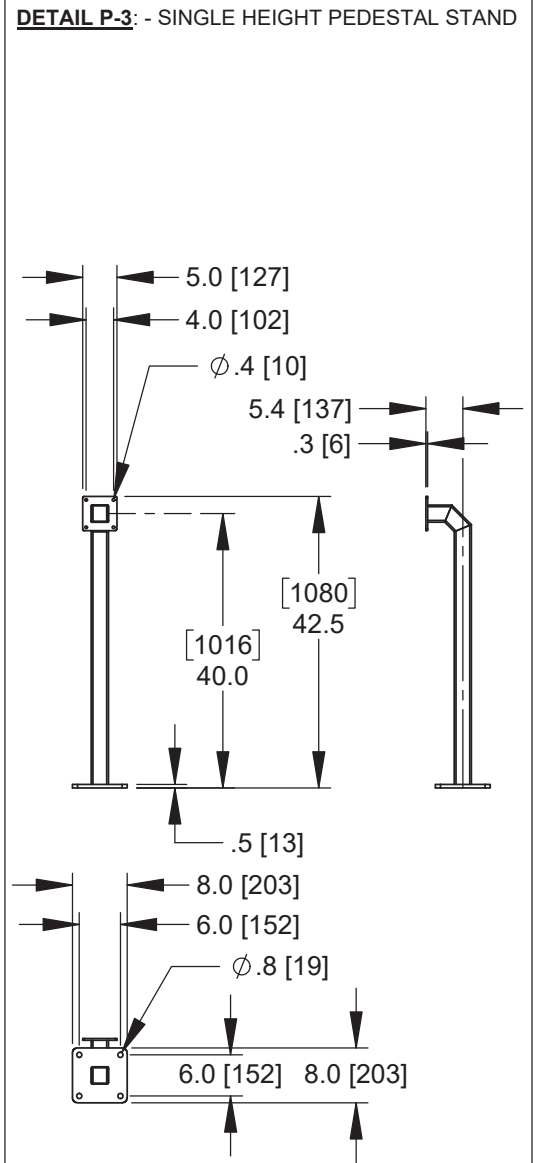
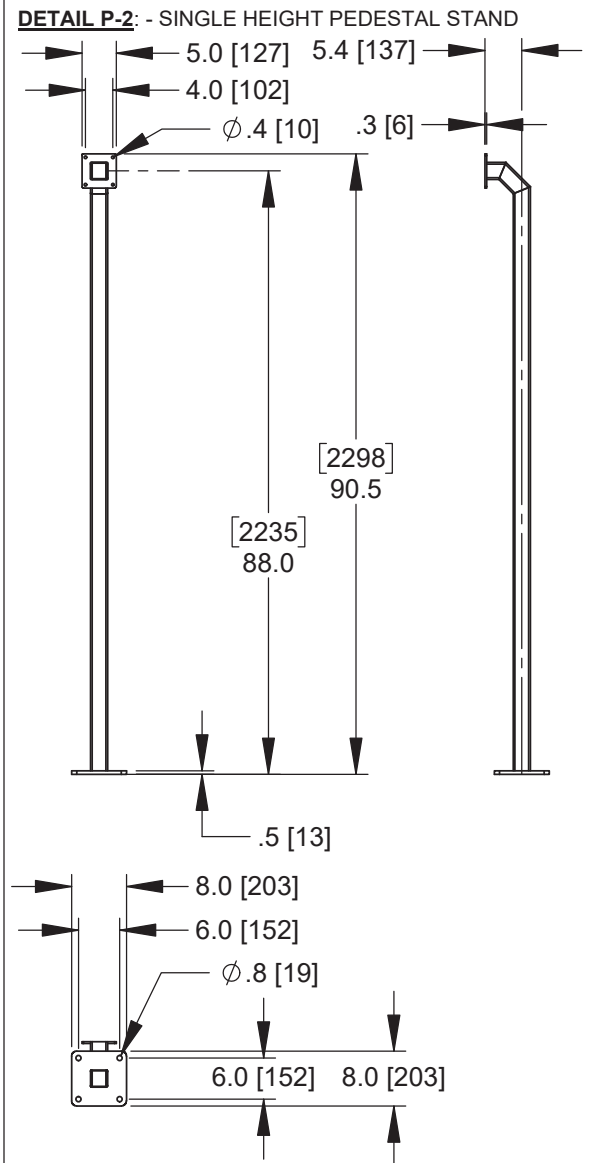
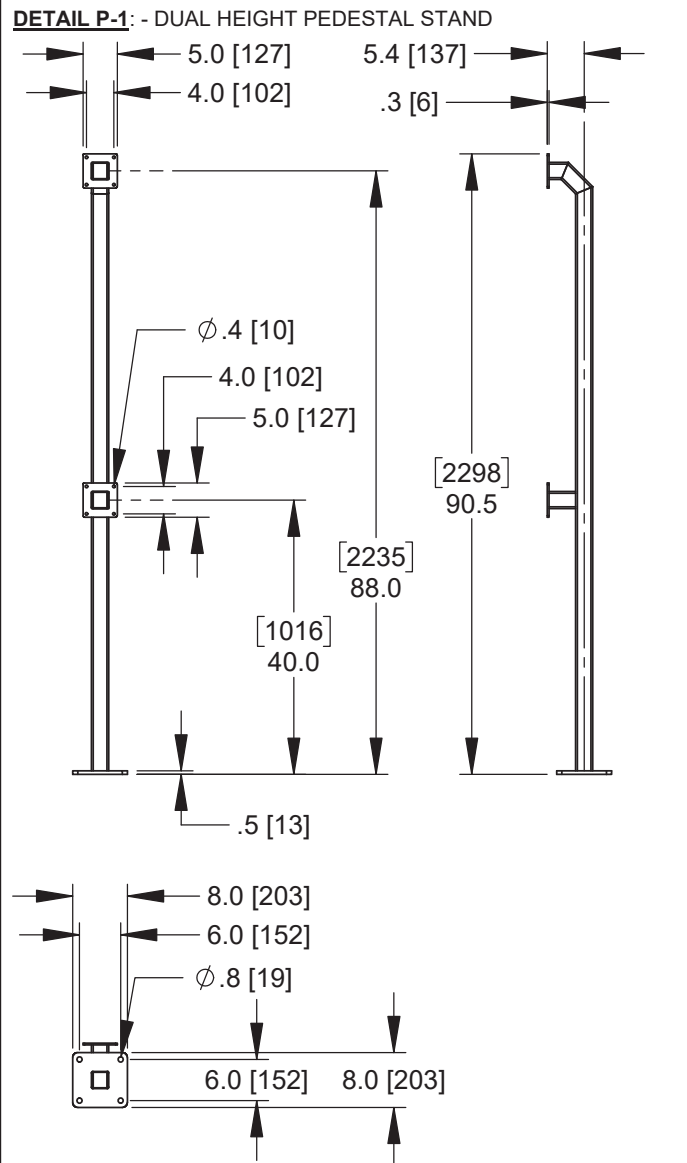
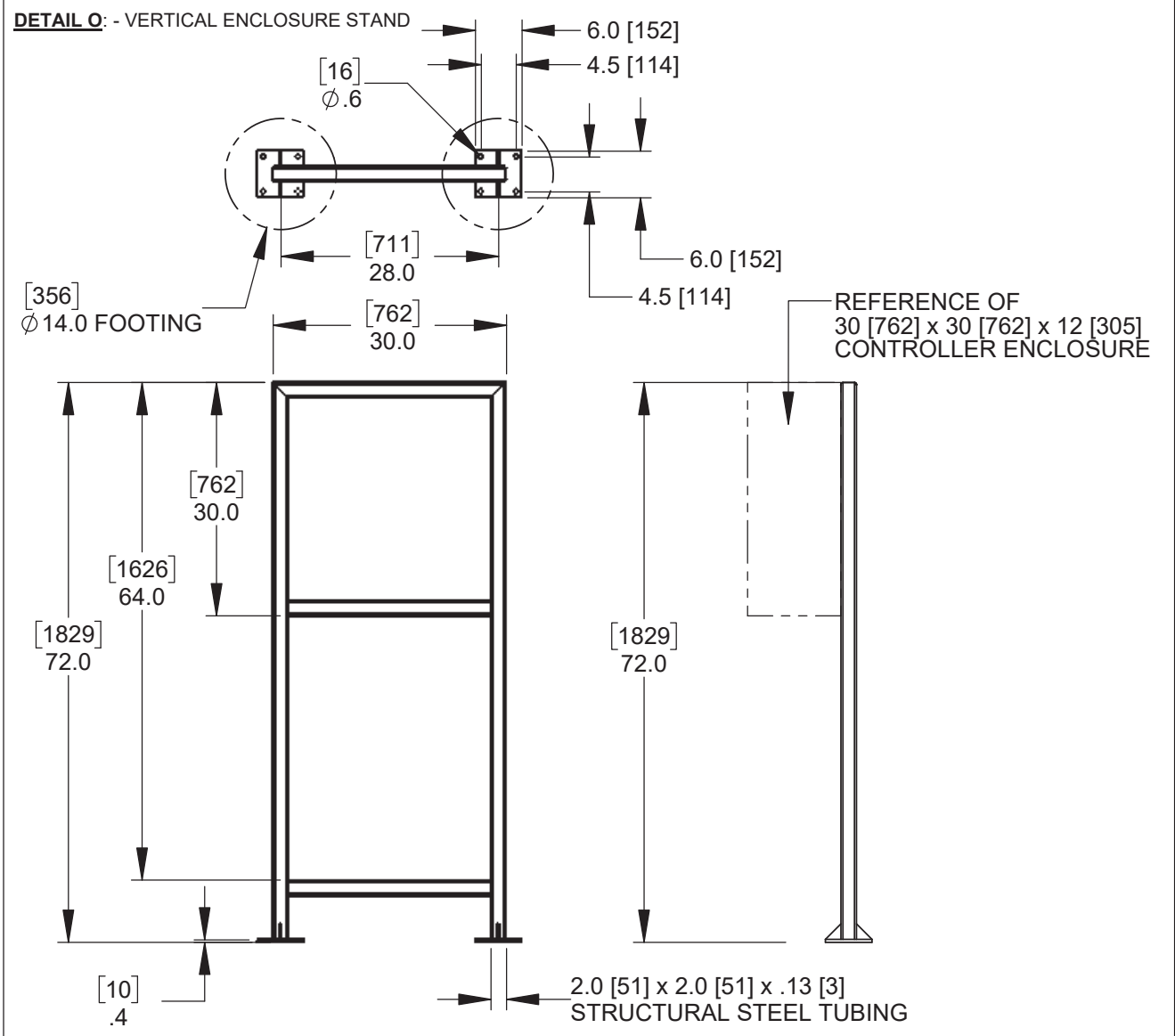
OPTIONAL PRE-FORMED VEHICLE DETECTION LOOP WIDTH:

CLEAR DRIVE THRU OPENING	LOOP WIDTH
10' [3048]	6' [1829]
12' [3658]	8' [2438]
14' [4267]	10' [3048]
16' [4877]	12' [3658]
18' [5486]	14' [4267]
20' [6096]	16' [4877]
23' [7010]	20' [6096]

NOTE:
BOLLARD FOUNDATION LOCATIONS ARE SUPPLIED AS A REFERENCE ONLY.
ALL FINAL MATERIALS AND DIMENSIONS ARE SUPPLIED AND INSTALLED BY OTHERS.

115 Lowson Crescent
Winnipeg, Manitoba, Canada, R3P 1A6
Phone: 1-866-300-1110
Fax: 1-204-284-1868
Web: www.wallaceperimetersecurity.com

Description: PDXT POST DRIVE TRACKLESS SPEEDGATE FOOTINGS / VEHICLE DETECTION LOOP LOCATIONS	
Customer / Project Name:	
Finish:	Date: 2/13/2018
Drawing No. PDXT-02-12-18	Rev. Sheet: 6 of 7



115 Lawson Crescent
Winnipeg, Manitoba, Canada, R3P 1A6
Phone: 1-866-300-1110
Fax: 1-204-284-1868
Web: www.wallaceperimetersecurity.com

Description: PDXT POST DRIVE TRACKLESS SPEEDGATE CONTROLLER ENCLOSURE STANDS PEDESTAL HEADS / PEDESTAL STANDS	
Customer / Project Name:	
Finish:	Date: 3/21/2019
Drawing No. PDXT-02-12-18	Rev. Sheet: 7 of 7