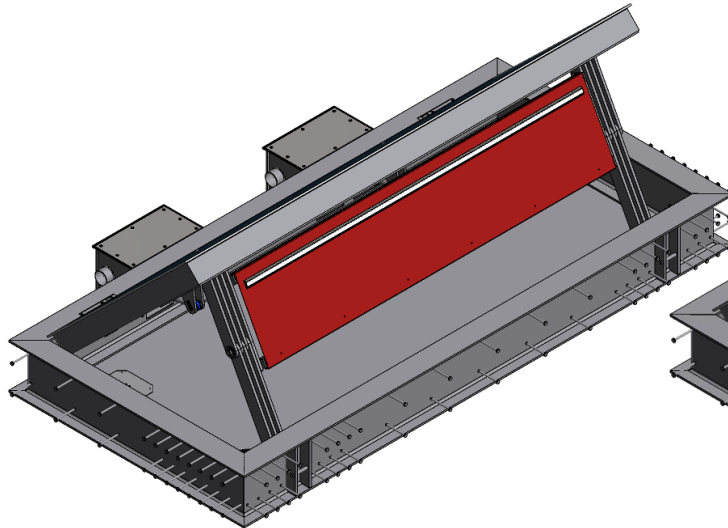
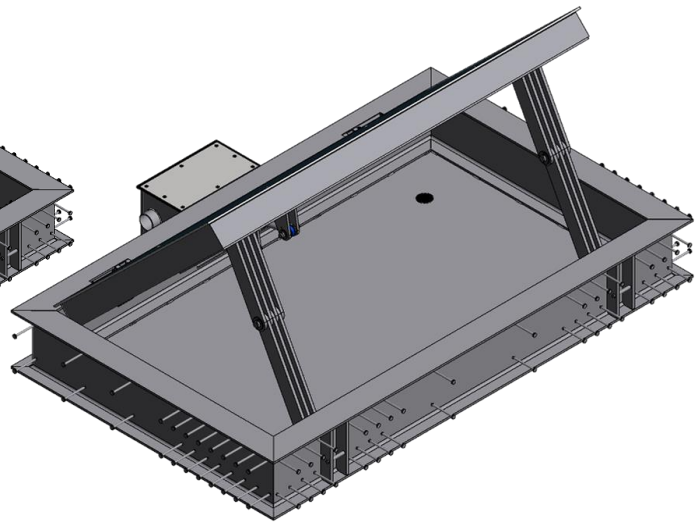

Technical Data Sheet

Wedge with blocking width ≥ 3.5 m and optional warning plate



Wedge with blocking width ≤ 3.0 m and without optional warning plate



Design:	Wedge Barrier with electro-hydraulic drive in separate drive cabinet. Optional: Warning plate with LED strip lighting
Kinetic Impact Energy:	1852 kJ (7.5 t @ 80 km/h)
Certification:	Crash test certified according to PAS 68 V/7500[N3]/80/90:0.0/18.0 and DOS SD-STD-02.01 Rev. A 03/2003 K12/L3
Blocking Width:	2.0 m, 2.5 m, 3.0 m, 3.5 m and 4.0 m
Blocking Height:	1200 mm
Underground Housing:	L x W x H: (blocking width + 360 mm) x 2100 mm x 400 mm
Emergency Operation During Power Failure:	Wedge can be raised manually via hand pump and lowered via ball cock valve or drain valve (depending on hydraulic drive unit configuration) Accumulator and rechargeable battery pack for three movement cycles (RO3) with charged accumulator (optional)
Operating Times:	Raising: approx. 3.5 sec, lowering: approx. 3.5 sec (standard) Emergency fast operation (EFO): approx. 1 sec with charged accumulator (optional)
Wheel Load:	100 kN according to SLW60 – DIN 1072
Drive:	4.0 kW, 400/690 V, three-phase, 50 Hz
Drive Cabinet:	H x W x D: 1400 x 1200 x 400 mm incl. 200 mm high base (standard) H x W x D: 1800 x 1200 x 500 mm incl. 200 mm high base (for RO3 option)
Hydraulic Fluid:	Mineral oil HLP 22 or biodegradable oil Plantohyd 22 S, non-hazardous to water
Control Unit:	Microprocessor control unit WE-Tronic II in control box installed in drive cabinet, control voltage 24 V DC

Technical Data Sheet

Supply Voltage:	400 V (3Ph + N + PE), 50 Hz	
Control Box:	Control unit configuration without rechargeable battery pack: H x W x D = 600 x 400 x 210 mm, IP 66 Control unit configuration with rechargeable battery pack for RO3-function: H x W x D = 800 x 400 x 300 mm, IP 66	
Weight:	Approx. 1900 – 2800 kg (wedge and cylinder housing(s)) Approx. 280 – 400 kg (drive cabinet)	
Colour (Standard):	Blocking element	RAL 7030 stone grey
	Underground housing	RAL 7030 stone grey
	Cover plate	RAL 7030 stone grey
	Warning plate (optional)	RAL 3000 flame red
	Drive cabinet	RAL 7035 light grey
Colour (Optional):	Cover plate	V-striped RAL 1007 daffodil yellow / RAL 9005 jet black, V-striped RAL 3000 flame red / RAL 9010 pure white
	Warning plate (optional)	V-striped RAL 1007 daffodil yellow / RAL 9005 jet black, V-striped RAL 3000 flame red / RAL 9010 pure white or other RAL colours or DB colours
Temperature Range:	-20°C ... +60°C	