

THIS DOCUMENT CONTAINS INFORMATION DEEMED CONFIDENTIAL AND PROPRIETARY TO NASATKA BARRIER, INC. AND MAY NOT BE REPRODUCED IN WHOLE OR IN PART WITHOUT THE EXPRESS WRITTEN PERMISSION OF NASATKA BARRIER, INC. FURTHER, NO USE OF THIS DOCUMENT OR THE INFORMATION CONTAINED HEREIN MAY BE MADE WITHOUT FIRST SECURING THE PRIOR WRITTEN APPROVAL OF NASATKA BARRIER, INC.

REV.	DATE	DESCRIPTION
		ORIGINAL RELEASE

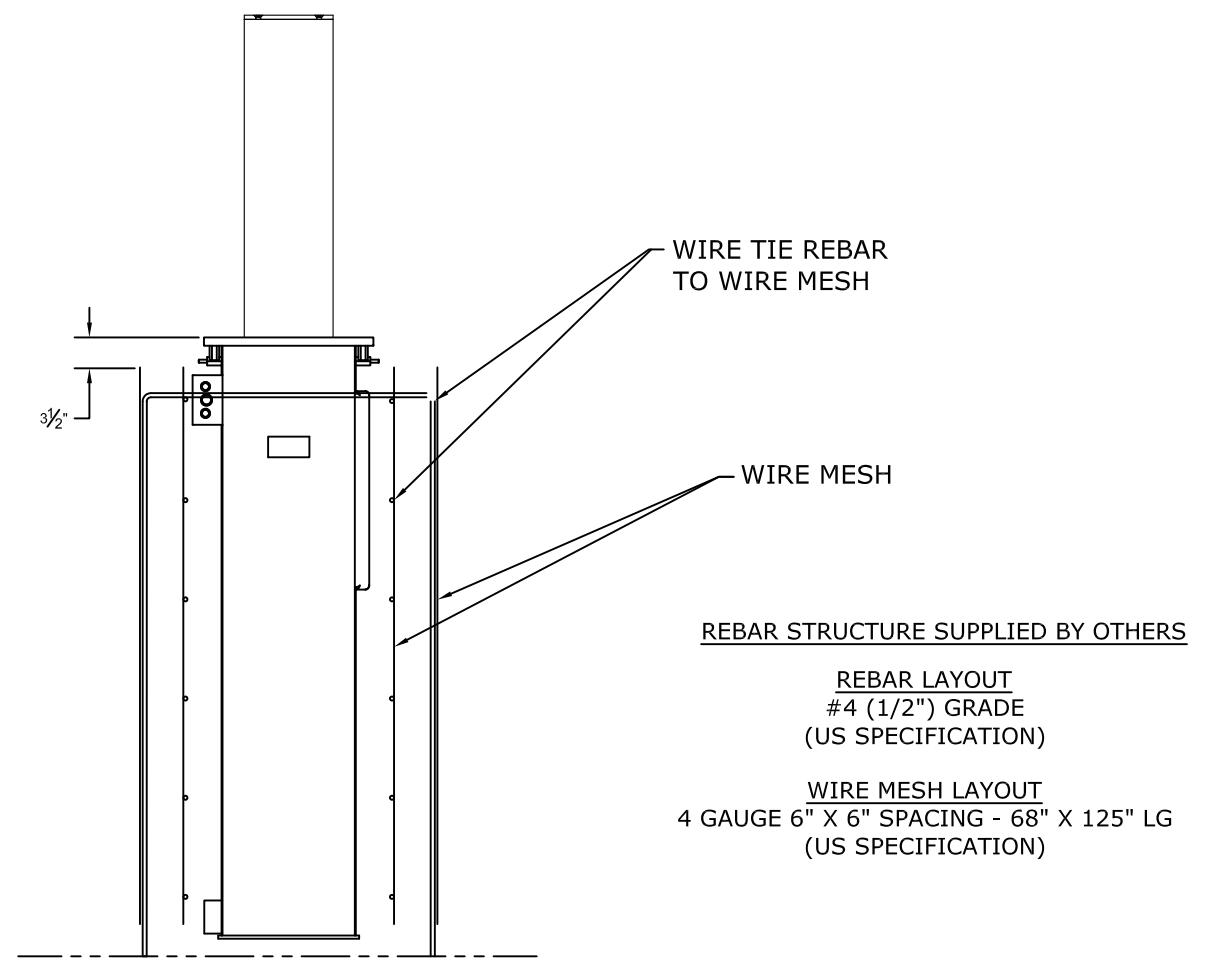
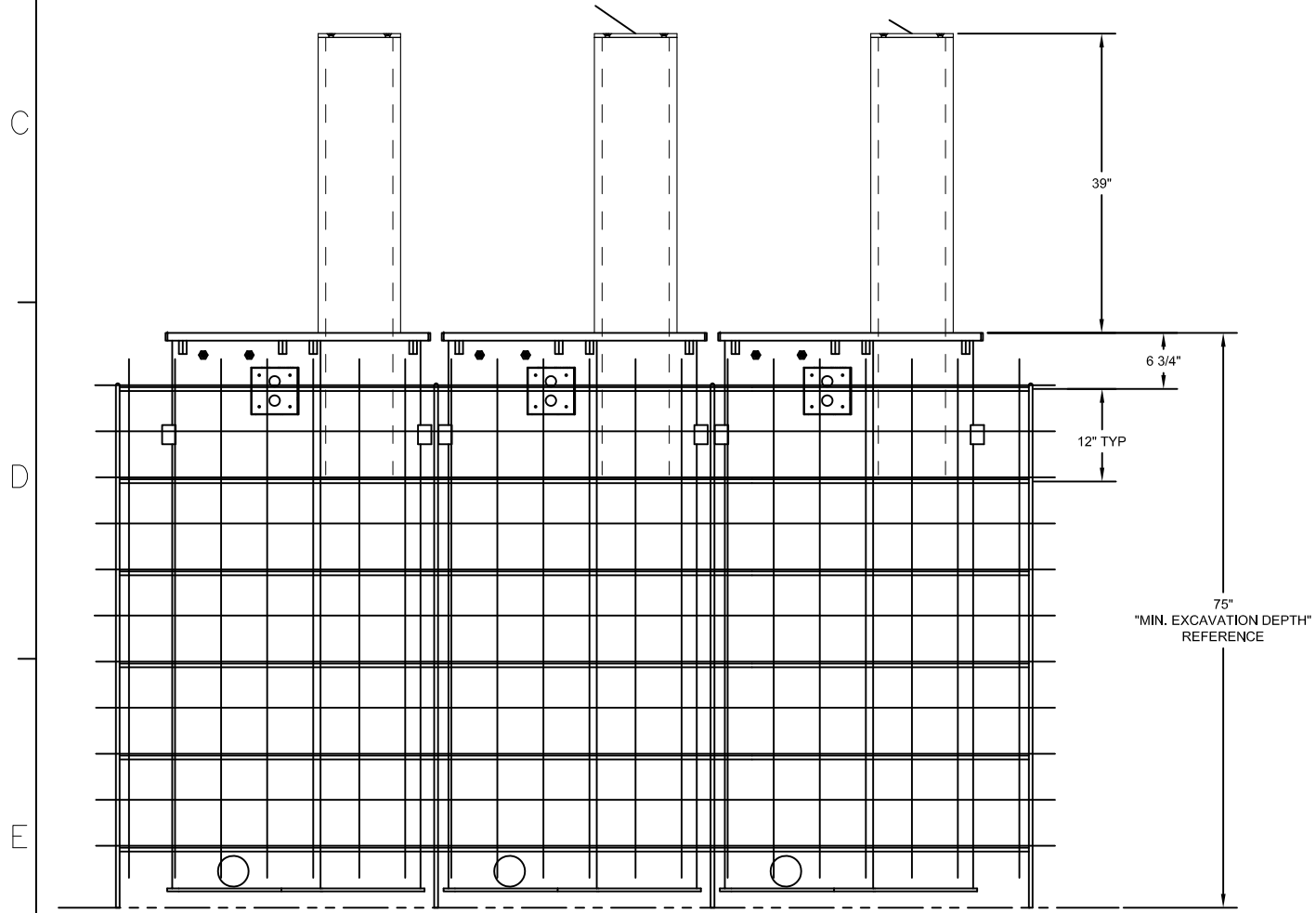
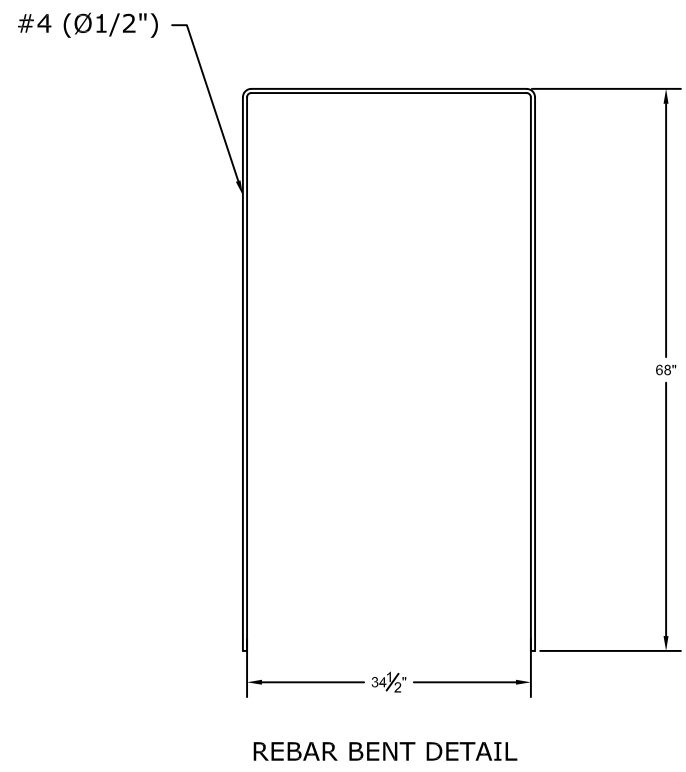
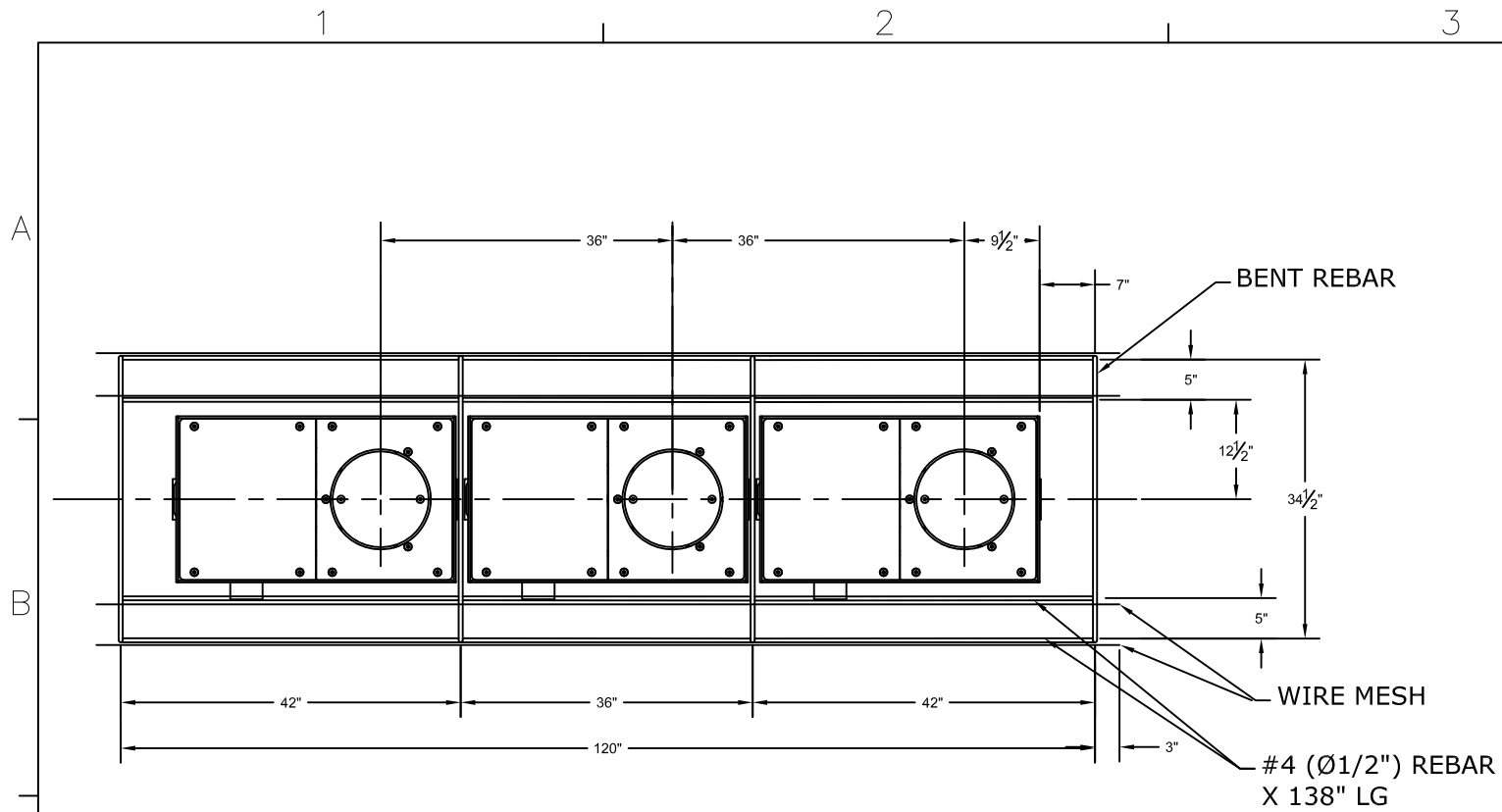
DESCRIPTION:	NMSB V/E 39"	CHK BY:	3-9-2012
	3 BANK, 48IN CENTERS LAYOUT	CSH	NIS
	###	DRAWN BY:	SCALE:
PART NO.			

Sheet:	Set:
SB-4	VI

REBAR STRUCTURE SUPPLIED BY OTHERS

REBAR LAYOUT  
#4 (1/2") GRADE  
(US SPECIFICATION)

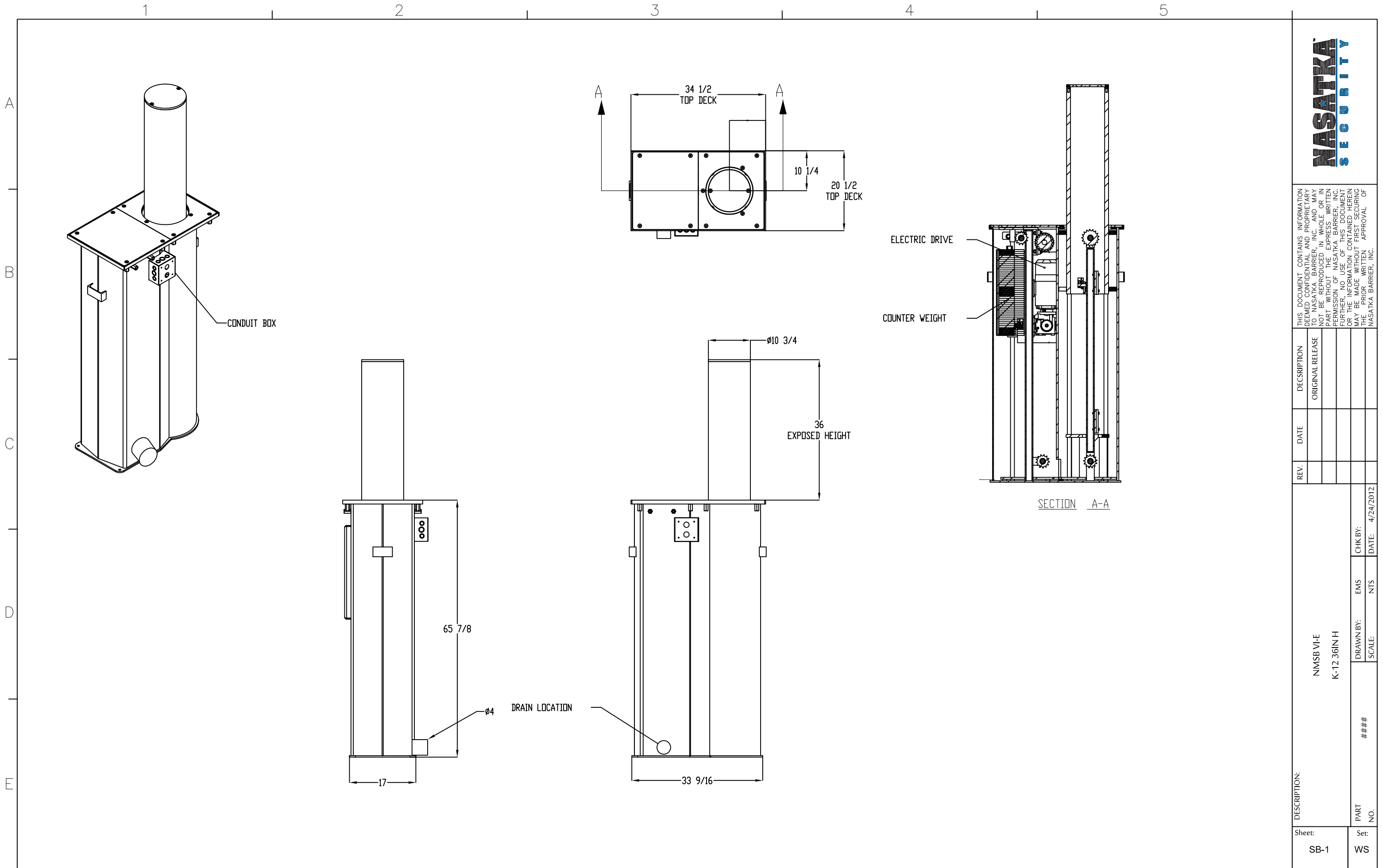
WIRE MESH LAYOUT  
4 GAUGE 6" X 6" SPACING - 68" X 150" LG  
(US SPECIFICATION)



THIS DOCUMENT CONTAINS INFORMATION DEEMED CONFIDENTIAL AND PROPRIETARY TO NASATKA BARRIER, INC. AND MAY NOT BE REPRODUCED IN WHOLE OR IN PART WITHOUT THE EXPRESS WRITTEN PERMISSION OF NASATKA BARRIER, INC. FURTHER, NO USE OF THIS DOCUMENT OR THE INFORMATION CONTAINED HEREIN MAY BE MADE WITHOUT FIRST SECURING THE PRIOR WRITTEN APPROVAL OF NASATKA BARRIER, INC.

REV.	DATE	DESCRIPTION
		ORIGINAL RELEASE

DESCRIPTION:	NMSB V-E 39"	CHK BY:	CSH	DATE:	3/9/2012
	3 BANK, 36IN CENTERS LAYOUT	DRAWN BY:	NIS	SCALE:	###
Sheet:	SB-3	PART NO.:	VI		



THIS DOCUMENT CONTAINS INFORMATION DEEMED CONFIDENTIAL AND PROPRIETARY TO NASATKA BARRIER, INC. AND MAY NOT BE REPRODUCED IN WHOLE OR IN PART WITHOUT THE EXPRESS WRITTEN PERMISSION OF NASATKA BARRIER, INC. FURTHER, NO USE OF THIS DOCUMENT OR THE INFORMATION CONTAINED HEREIN MAY BE MADE WITHOUT FIRST SECURING THE PRIOR WRITTEN APPROVAL OF NASATKA BARRIER, INC.

REV.	DATE	DESCRIPTION
		ORIGINAL RELEASE

DESCRIPTION: NMSB V-E K-12 36IN H	CHK BY:	4/24/2012
	DATE:	
PART NO. ###	EMIS	NIS
	DRAWN BY:	SCALE:
Sheet: SB-1	Set: WS	