

PRODUCT CLASSIFICATION:
B-FOUNDATION/PASSIVE/BOLLARD
PERFORMANCE RATING:
IWA 14-1:2013 BOLLARD
V/7200[N2A]/48/30:1.2

THIS DRAWING IS THE SOLE PROPERTY AND COPYRIGHT OF MARSHALLS STREET FURNITURE AND MAY NOT BE DISCLOSED TO ANY THIRD PARTY OR REPRODUCED IN WHOLE OR IN PART WITHOUT THE PRIOR WRITTEN CONSENT OF AN AUTHORISED REPRESENTATIVE OF THE COMPANY. UNAUTHORISED PARTIAL OR COMPLETE REPRODUCTION, IN EITHER TWO OR THREE DIMENSIONAL FORM, MAY RESULT IN LEGAL ACTION. THE USE OF THIS DRAWING TO OBTAIN QUOTES FROM OTHER SUPPLIERS OTHER THAN MARSHALLS URBAN STRUCTURES MAY RESULT IN LEGAL ACTION.

Marshalls

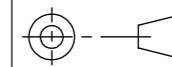
PREMIER WAY
 LOWFIELDS BUSINESS PARK
 ELLAND
 HALIFAX
 WEST YORKS
 HX5 9HT

TEL: 0870 990 7504

EMAIL: info@marshalls.co.uk

NOTES:

1. ALL DIMENSIONS ARE IN MILLIMETRES UNLESS OTHERWISE STATED.
 2. DO NOT SCALE DRAWING.
 3. ALL CONCRETE TO BE IN ACCORDANCE WITH BS 8500
 4. MIXES TO BE REINFORCED CONCRETE - C30/C40
 5. ALL MATERIAL & WORKMANSHIP TO BE IN ACCORDANCE WITH RECOMMENDATIONS OF BS-EN 1992 EUROCODE 2
- Foundation sizes given are for customer guidance and suited to sub-soils with good load bearing capabilities. Where adverse site conditions are met professional advice to be sought.



TOLERANCES: LINEAR 0 : +/-1
 0.0 : +/-0.1
 0.00 : +/-0.01
 ANGULAR +/-0.5°

THIRD ANGLE PROJECTION

Rev	Init	Revision Notes	ER No.	Date
A	MB	FIRST ISSUE	19-0700	01/04/20
B	-	-	-	-
C	-	-	-	-
D	-	-	-	-
E	-	-	-	-

PRODUCT TYPE:

BRIDGE PROTECTION

IMPACT RATING:

75/30 30°

SLEEVE DETAIL:

Ø219 STAINLESS STEEL

PRODUCT RANGE:

RHINO GUARD

PROJECT NAME:

ULTRA SHALLOW 50

PROJECT NUMBER

SHALLOW FRAME

SHEET TITLE:

HVM ULTRA SHALLOW 50 - CYCLE LANE - Ø219

DRAWING NUMBER:

HVM-72-30-CW-SS

DRAWN BY
MB

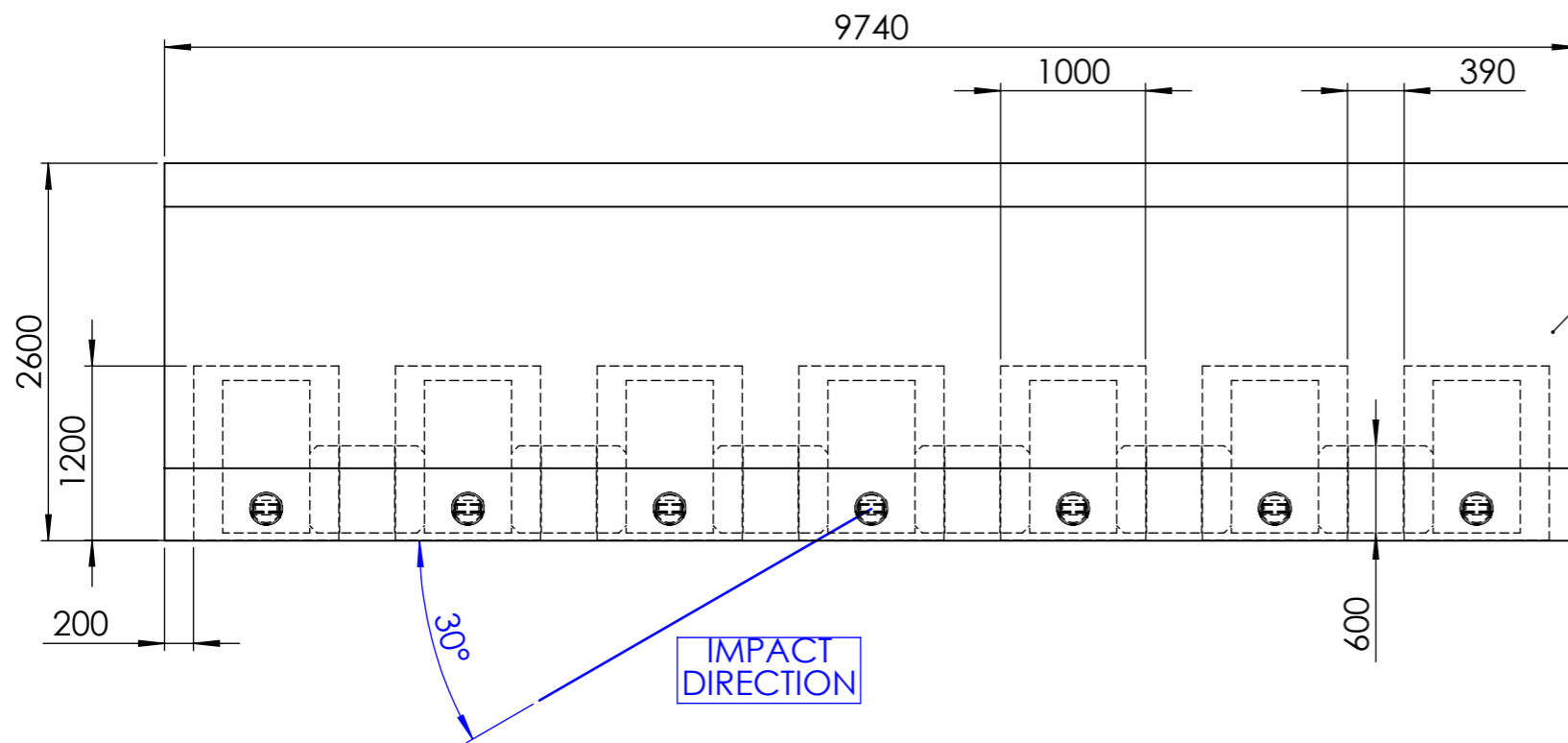
DATE
01/04/20

SCALE
1:50@A3

REVISION

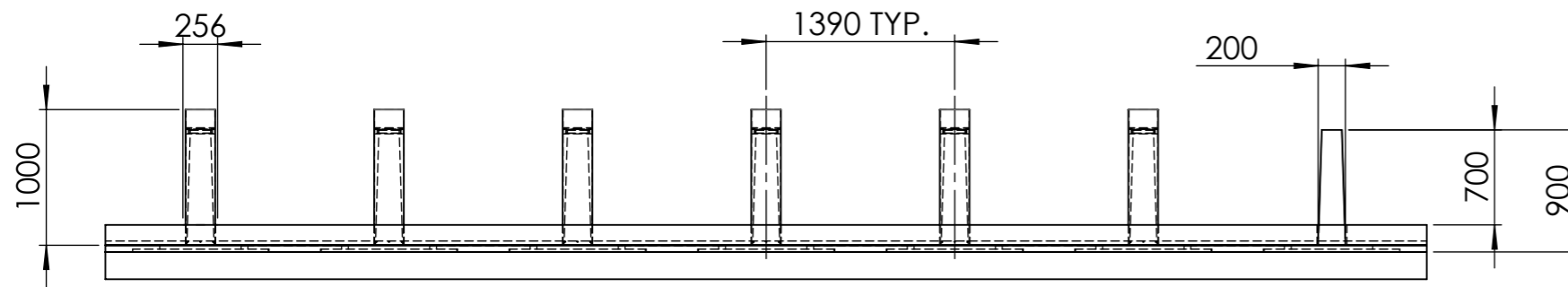
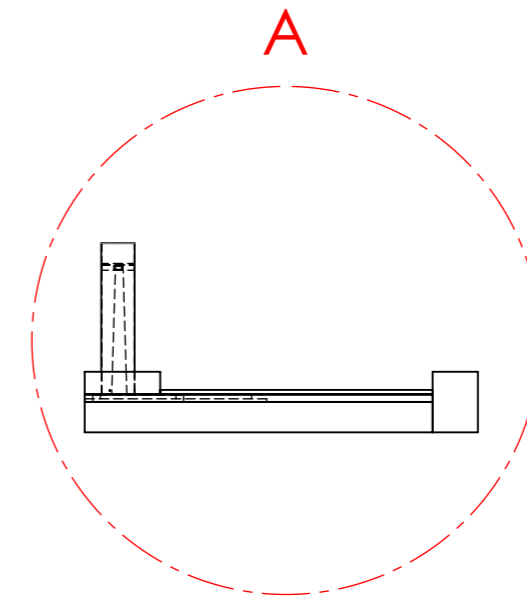
[A]

SHEET 1 of 1



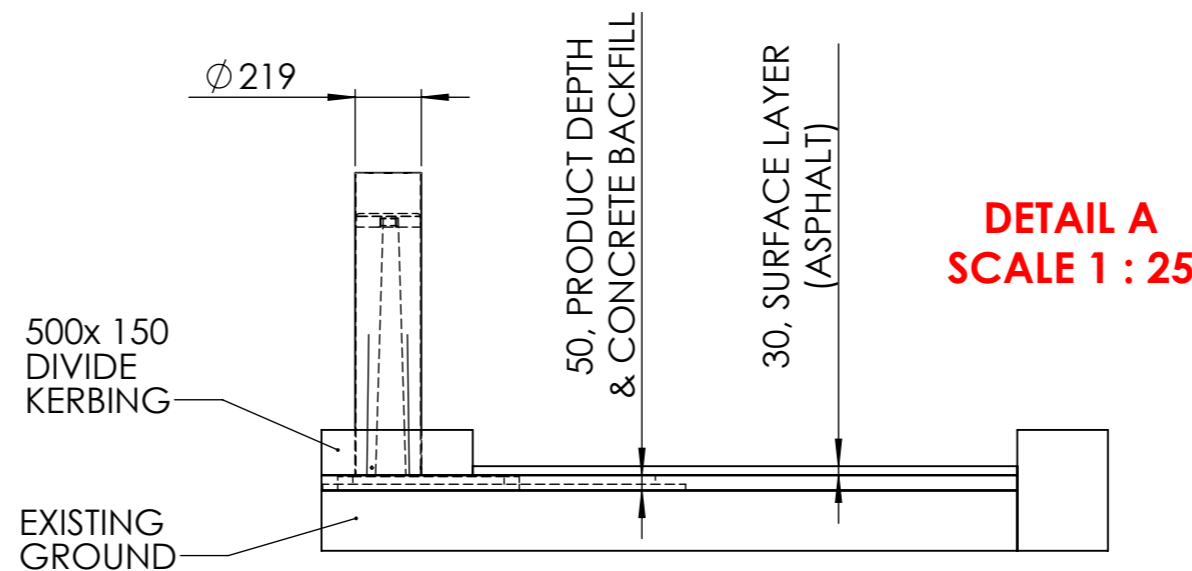
BACKFILL AROUND
 PRODUCT AND REAR
 UPTO 50mm LEVEL
 WITH CONCRETE.
 30mm ASPHALT
 LAYER ON TOP.

**NOTE: Ø219 STAINLESS
 STEEL SLEEVE SHOWN.
 OTHER SLEEVES ARE
 AVAILABLE.**



PRODUCT WEIGHTS:
 HVM FRAME - 390KG
 CONNECTION BRACKET - 95KG
 SLEEVE - 16KG

INSTALLATION INSTRUCTIONS:
 EXCAVATE SUITABLE FOUNDATION FOR BOLLARDS
 CONNECT LIFTING EQUIPMENT TO EACH UNIT & LAY
 IN POSITION
 FASTEN UNITS TOGETHER WITH BRACKETS, NUTS
 AND WASHERS.
 CAST CONCRETE AROUND AND ON TOP OF
 PRODUCT TO 50mm LEVEL. C30/C40 SLUMP MINIMUM
 ALLOW CONCRETE TO CURE.
 ADD FERROCAST SPACING RING TO TOP OF
 UPRIGHT.
 SLIDE OVER SLEEVE AND SECURE AT BASE WITH
 SUPPLIED M8 FIXINGS.
 CAST OR INSTALL 150mm DIVIDE KERBING OVER
 FRAME UPRIGHT AND SLEEVE.
 FINISH SURFACE LEVEL IN ACCORDANCE WITH SITE
 REQUIREMENTS, 30mm.



**DETAIL A
 SCALE 1 : 25**