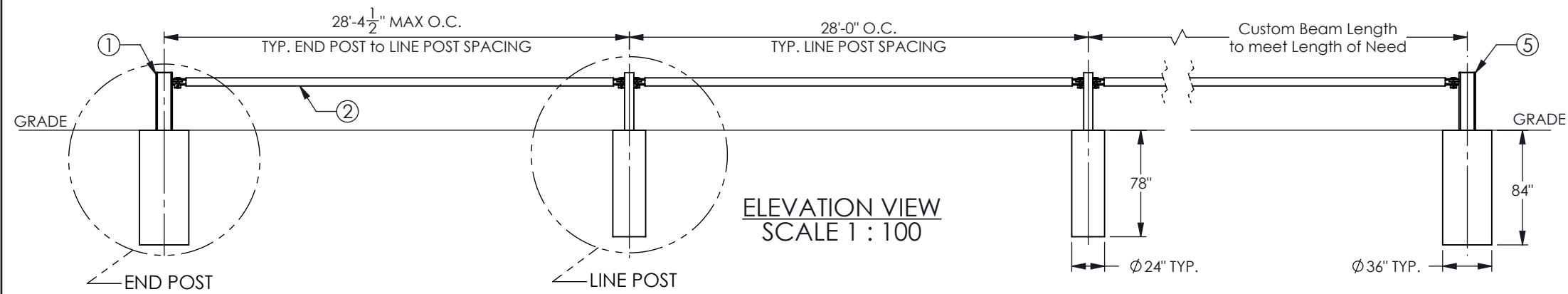
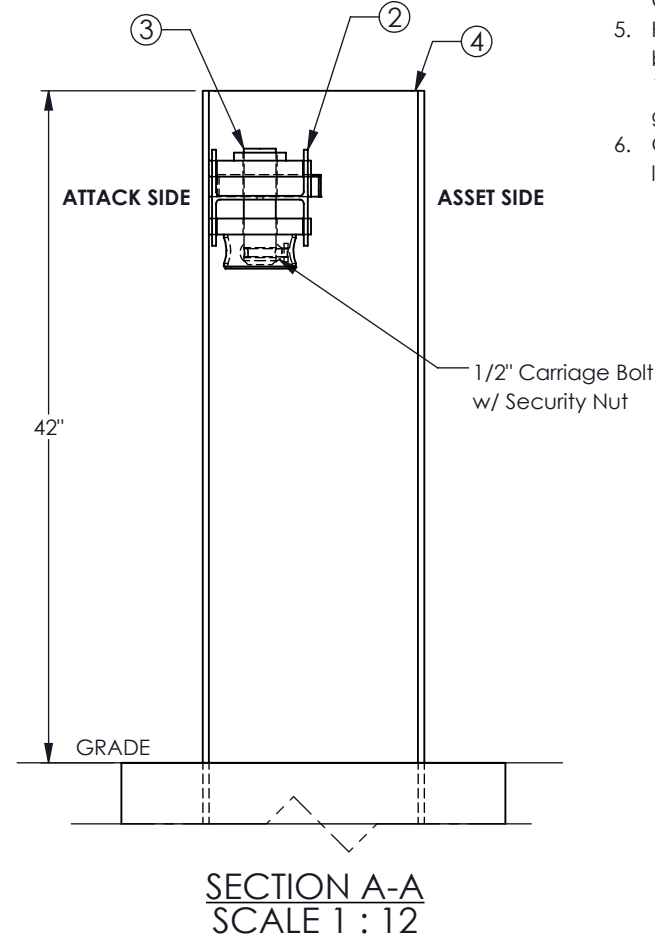
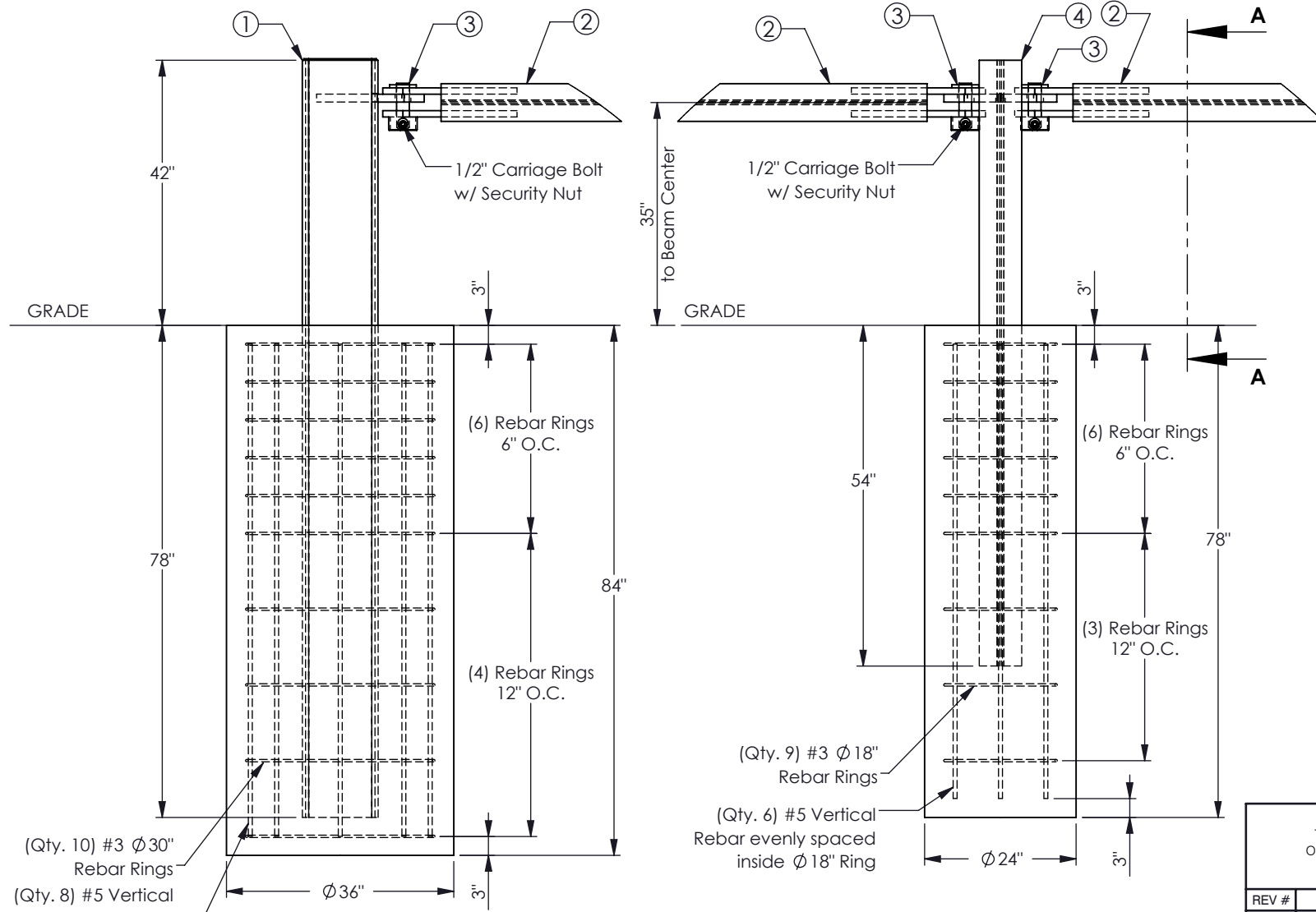


G-6331 POST AND BEAM B.O.M.		
#	ITEM NO.	DESCRIPTION
	1	Left Hand End Post
	2	W-Beam
	3	Pivot Pin
	4	Line Post
	5	Right Hand End Post



**GENERAL NOTES**

1. For additional information contact Gibraltar at 1-800-495-8957.
2. All concrete shall be per specification; minimum 3500PSI. With 3" clear cover for rebar. All foundations are reinforced with #3 and #5 rebar provided by others.
3. To ensure proper fit it is recommended that beams be pinned up to posts before concrete is poured.
4. Refer to the G-6331G-Force M30 P1 Post and Beam Installation Guide for details on corners and fence line direction changes.
5. Height from grade to beam center is 35" ± 3" for grade change between line posts. Beams can accommodate a grade change of 11 degrees at line post connections. Resulting in a maximum grade change of 22 degrees at Line posts.
6. Gibraltar will provide site specific submittals and layouts with part list for each individual project.



PROPRIETARY AND CONFIDENTIAL  
THE INFORMATION CONTAINED IN THIS DRAWING IS THE SOLE PROPERTY OF GIBRALTAR. ANY REPRODUCTION IN PART OR AS A WHOLE WITHOUT THE WRITTEN PERMISSION OF GIBRALTAR IS PROHIBITED.

REV #	DESCRIPTION:	DRAWN BY:	APPD BY:	DATE:
2	Revised end post descriptions, updated notes	EJ	JP	08-15-17
1	Approved for distribution	EJ	BN	10-21-16
0	Issued for approval	EJ	JP	09-20-16

PRODUCT: G-6331 G-Force M30 P1 Post and Beam System

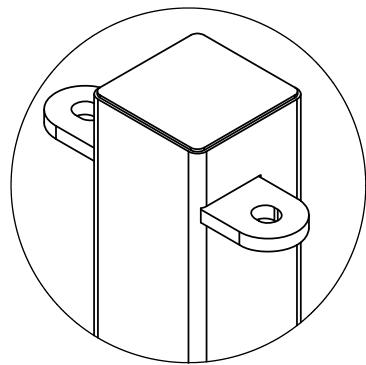
SHEET DESCRIPTION: System Layout

PROJECT: Standard

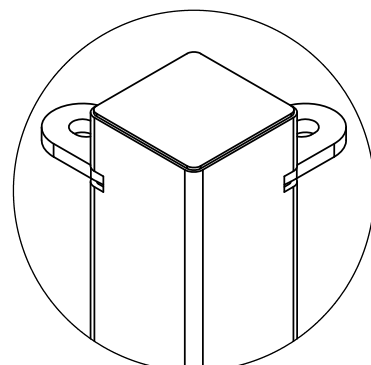
SCALE: VARIES SHEET: 1 OF 1 DWG #: 6331-SL01

**NOTES**

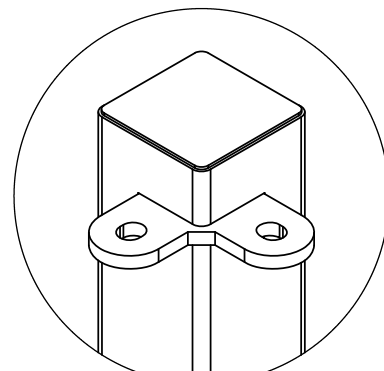
1. This drawing depicts all End Post/Terminal Post options.
2. All End Post/Terminal Post and Continuation Post have same foundations.



**CONTINUATION POST**  
SCALE 1 : 15



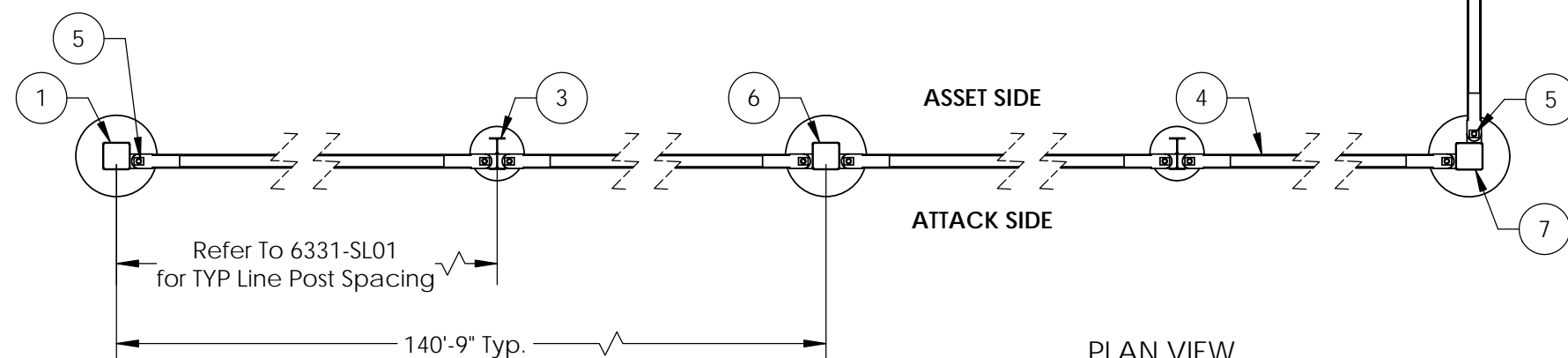
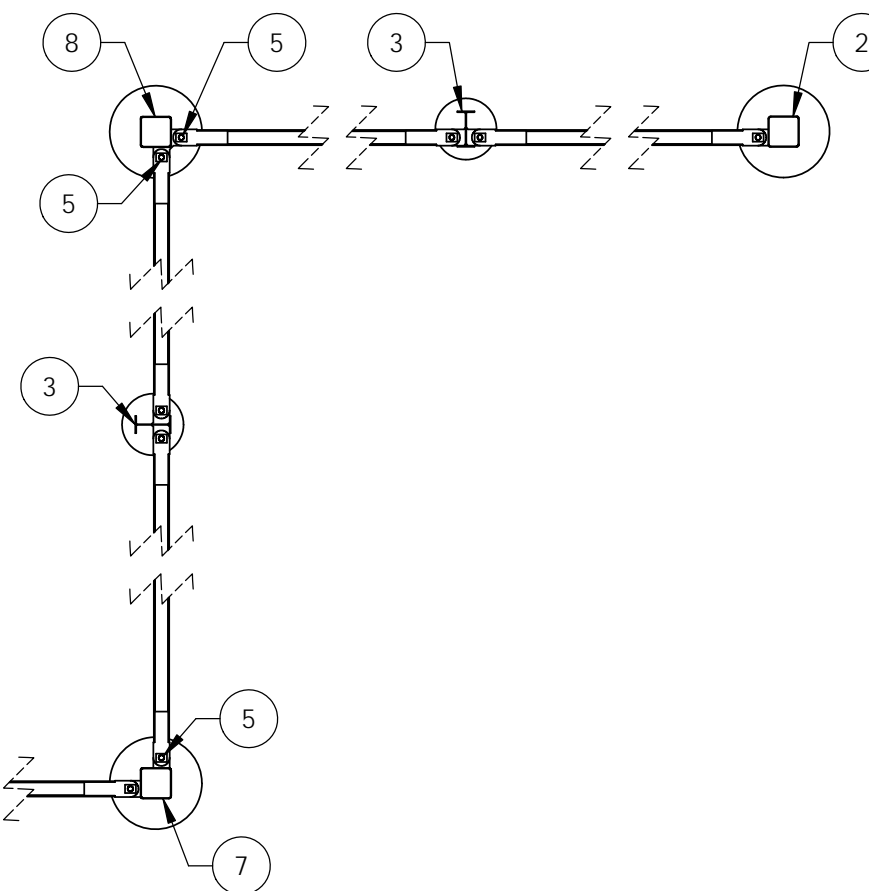
**OUTSIDE CORNER TERMINAL POST**  
SCALE 1 : 15



**INSIDE CORNER TERMINAL POST**  
SCALE 1 : 15

**G-FORCE M30 P1 POST AND BEAM B.O.M.**

#	ITEM NO.	DESCRIPTION
	1	12"x12" HSS Left Hand End Post
	2	12"x12" HSS Right Hand End Post
	3	Line Post
	4	W-Beam
	5	Pivot Pin
	6	Continuation Post
	7	Outside Corner Terminal Post
	8	Inside Corner Terminal Post



<p>PROPRIETARY AND CONFIDENTIAL</p> <p>THE INFORMATION CONTAINED IN THIS DRAWING IS THE SOLE PROPERTY OF GIBALTAR. ANY REPRODUCTION IN PART OR AS A WHOLE WITHOUT THE WRITTEN PERMISSION OF GIBALTAR IS PROHIBITED.</p>				<p>TOLERANCES: DIMS &gt; 1" ± 1/8" DIMS ≤ 1" ± 1/16" ANGLES ± 5° WELDS -1/16" +1/8"</p>		<p>PRODUCT: <b>G-Force M30 P1</b> Post and Beam System</p>		<p>SHEET DESCRIPTION: End Post / Terminal Options System Layout</p>																							
<table border="1"> <thead> <tr> <th>REV #</th> <th>DESCRIPTION:</th> <th>DRAWN BY:</th> <th>APPD BY:</th> <th>DATE:</th> </tr> </thead> <tbody> <tr> <td>1</td> <td>Approved for distribution</td> <td>SW</td> <td>JP</td> <td>07-28-17</td> </tr> <tr> <td>0</td> <td>Issued for Approval</td> <td>SW</td> <td>JP</td> <td>07-24-17</td> </tr> <tr> <td> </td> <td> </td> <td> </td> <td> </td> <td> </td> </tr> <tr> <td> </td> <td> </td> <td> </td> <td> </td> <td> </td> </tr> </tbody> </table>	REV #	DESCRIPTION:	DRAWN BY:	APPD BY:	DATE:	1	Approved for distribution	SW	JP	07-28-17	0	Issued for Approval	SW	JP	07-24-17													<p>PROJECT: <b>STANDARD</b></p>			
REV #	DESCRIPTION:	DRAWN BY:	APPD BY:	DATE:																											
1	Approved for distribution	SW	JP	07-28-17																											
0	Issued for Approval	SW	JP	07-24-17																											
SCALE: VARIES		SHEET: 1 OF 1		DWG # 6331-SL02																											