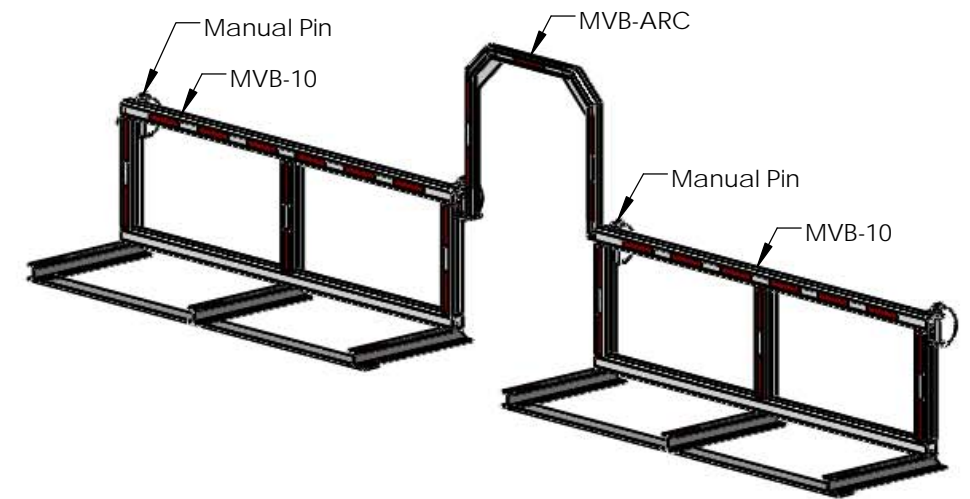
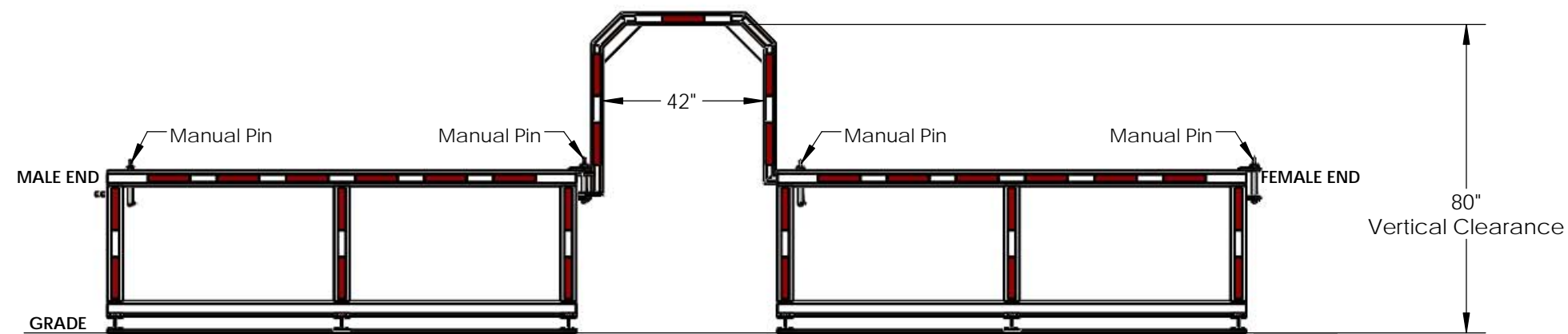


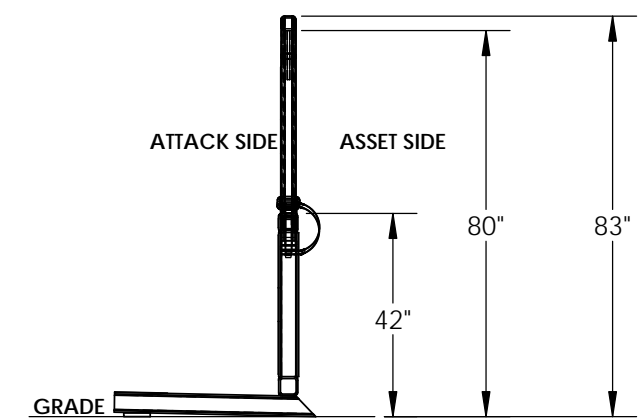
PLAN VIEW  
SCALE 1 : 40



DIMETRIC VIEW  
(FOR REFERENCE ONLY)



FRONT ELEVATION VIEW  
SCALE 1 : 40

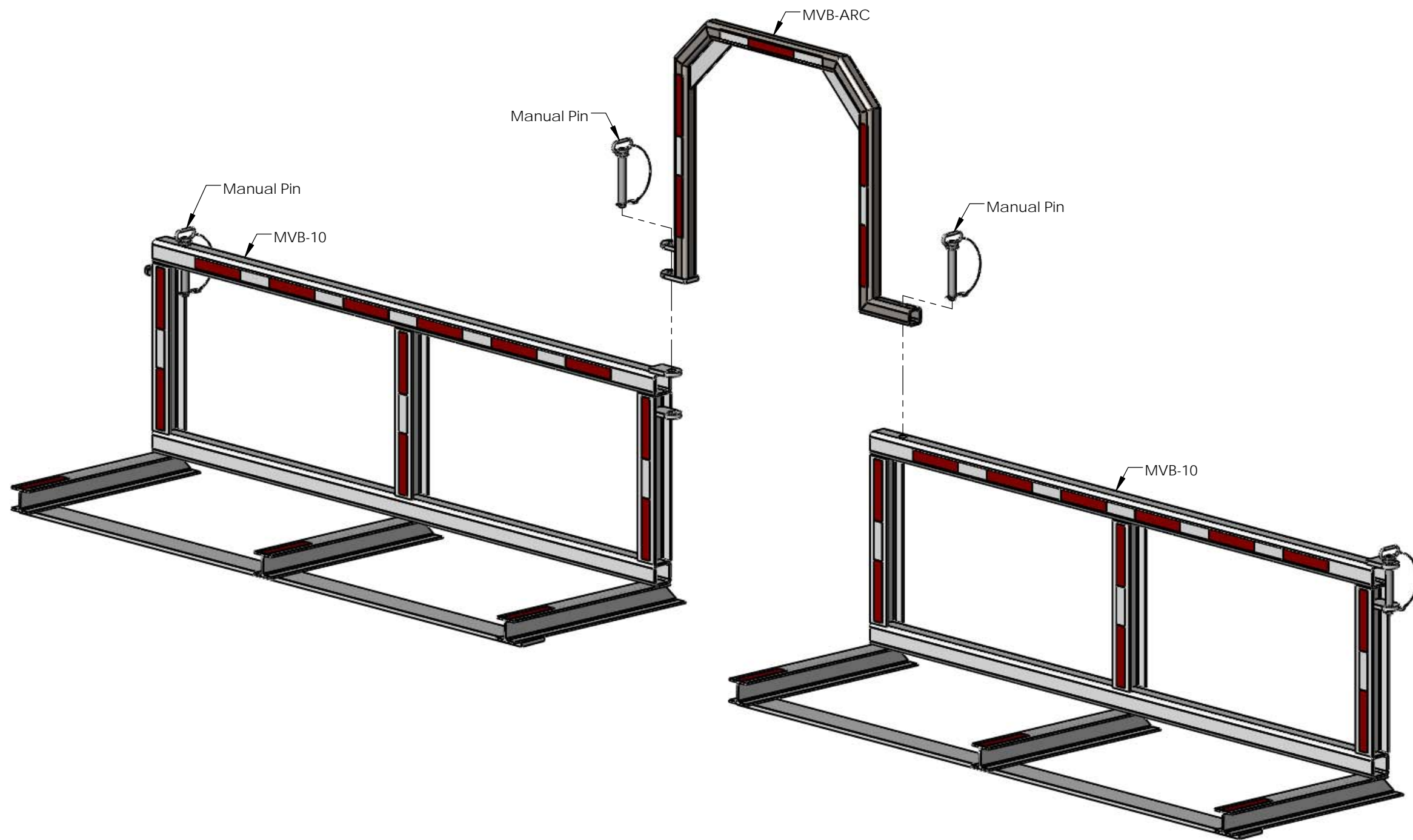


RIGHT SIDE ELEVATION VIEW  
SCALE 1 : 40


**GENERAL NOTES**

1. Male End connects to Female End of incoming MVB for continuous installation.
2. Pedestrian Arch can be used between any two length MVB's. This drawing shows Arch between two 10ft MVB's.
3. Standard Coating: ASTM A-123, Hot Dip Galvanized.

PROPRIETARY AND CONFIDENTIAL THE INFORMATION CONTAINED IN THIS DRAWING IS THE SOLE PROPERTY OF GIBALTAR. ANY REPRODUCTION IN PART OR AS A WHOLE WITHOUT THE WRITTEN PERMISSION OF GIBALTAR IS PROHIBITED.				TOLERANCES: DIMS > 1" ± 1/8" DIMS ≤ 1" ± 1/16" ANGLES ± 5°	PRODUCT: <b>Modular Vehicle Barrier</b>	DESCRIPTION: <b>MVB Layout With Pedestrian Access</b>	
REV # 2 1 0	DESCRIPTION: Revised to show Arch Detail Approved for Distribution Issued for Approval	DRAWN BY: SW	APPD BY: JP	DATE: 10-12-17 10-09-17 10-09-17		PROJECT: <b>STANDARD</b>	
						SCALE: 1:40	SHEET: 1 OF 2



DIMETRIC VIEW  
SCALE 1 : 20

PROPRIETARY AND CONFIDENTIAL THE INFORMATION CONTAINED IN THIS DRAWING IS THE SOLE PROPERTY OF GIBRALTAR. ANY REPRODUCTION IN PART OR AS A WHOLE WITHOUT THE WRITTEN PERMISSION OF GIBRALTAR IS PROHIBITED.			TOLERANCES: DIMS > 1" ± 1/8" DIMS ≤ 1" ± 1/16" ANGLES ± 5°		PRODUCT: Modular Vehicle Barrier	DESCRIPTION: MVB Layout With Pedestrian Access																				
<table border="1"> <thead> <tr> <th>REV #</th> <th>DESCRIPTION:</th> <th>DRAWN BY:</th> <th>APPD BY:</th> <th>DATE:</th> </tr> </thead> <tbody> <tr> <td>2</td> <td>Revised to show Arch Detail</td> <td>SW</td> <td>JP</td> <td>10-12-17</td> </tr> <tr> <td>1</td> <td>Approved for Distribution</td> <td>SW</td> <td>JP</td> <td>10-09-17</td> </tr> <tr> <td>0</td> <td>Issued for Approval</td> <td>SW</td> <td>JP</td> <td>10-09-17</td> </tr> </tbody> </table>			REV #	DESCRIPTION:	DRAWN BY:	APPD BY:	DATE:	2	Revised to show Arch Detail	SW	JP	10-12-17	1	Approved for Distribution	SW	JP	10-09-17	0	Issued for Approval	SW	JP	10-09-17			PROJECT: STANDARD	
REV #	DESCRIPTION:	DRAWN BY:	APPD BY:	DATE:																						
2	Revised to show Arch Detail	SW	JP	10-12-17																						
1	Approved for Distribution	SW	JP	10-09-17																						
0	Issued for Approval	SW	JP	10-09-17																						
			SCALE: 1:20	SHEET: 2 OF 2	DWG # MVB-ARC-SL																					