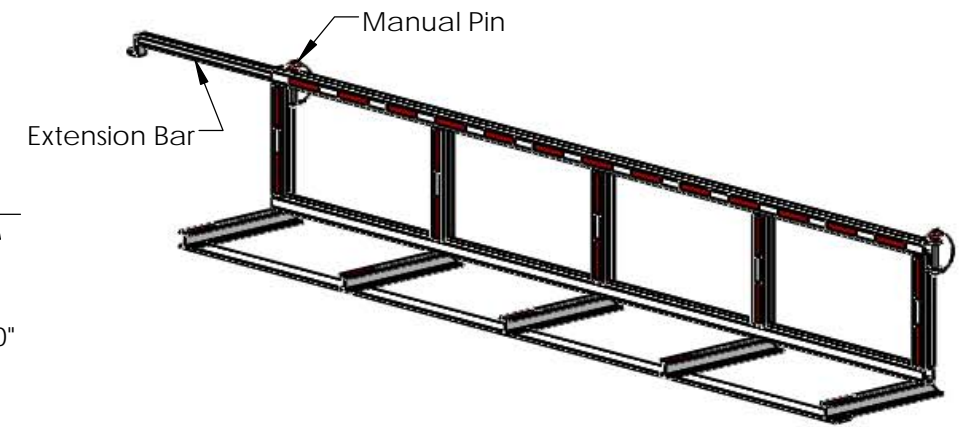
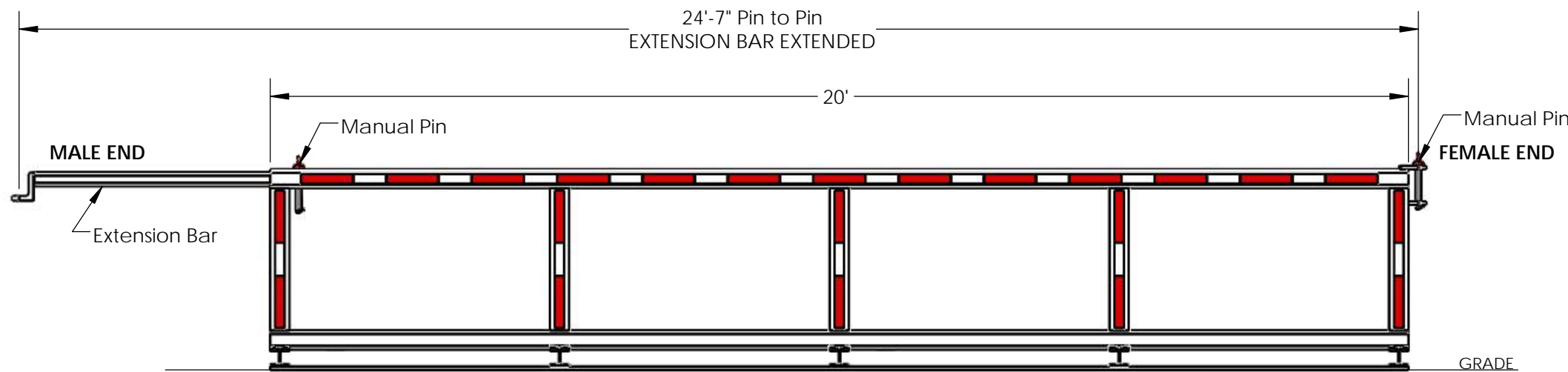


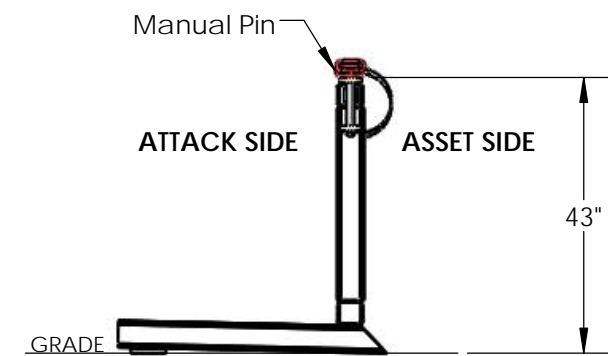
PLAN VIEW w/ Extension Bar (RETRACTED)  
SCALE 1 : 30



DIMETRIC VIEW (EXTENDED)  
(FOR REFERENCE ONLY)



FRONT ELEVATION VIEW (EXTENDED)  
SCALE 1 : 30



RIGHT SIDE ELEVATION VIEW  
SCALE 1 : 30

**GENERAL NOTES**

1. Male End connects to Female End of incoming MVB for continuous installation.
2. Extension Bar locks into fully extended or retracted positions only.
3. Standard Coating: ASTM A-123, Hot Dip Galvanized.

PROPRIETARY AND CONFIDENTIAL THE INFORMATION CONTAINED IN THIS DRAWING IS THE SOLE PROPERTY OF GIBRALTAR. ANY REPRODUCTION IN PART OR AS A WHOLE WITHOUT THE WRITTEN PERMISSION OF GIBRALTAR IS PROHIBITED.				TOLERANCES: DIMS > 1" ± 1/8" DIMS ≤ 1" ± 1/16" ANGLES ± 5°	PRODUCT: 20ft Modular Vehicle Barrier	DESCRIPTION: MVB-20 Standard Layout	
REV # 3 2 1 0	DESCRIPTION: Revised to extend connection tube Revised to show reflectors Approved for Distribution Issued for Approval	DRAWN BY: SW	APPD BY: JP JH JH	DATE: 11-27-17 10-12-17 10-05-17 10-05-17		PROJECT: STANDARD	
						SCALE: 1:30	SHEET: 1 OF 1