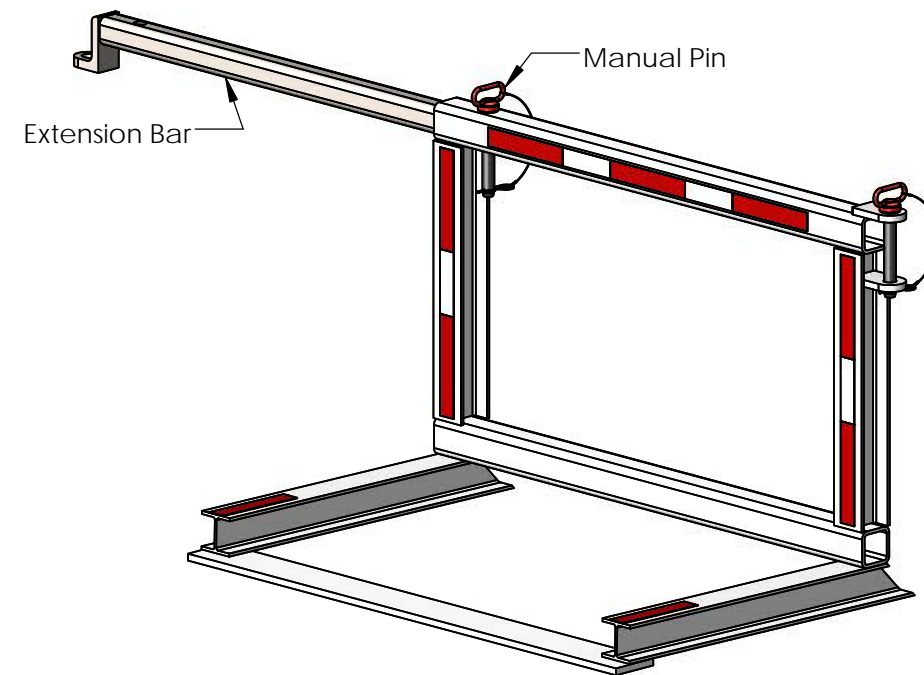
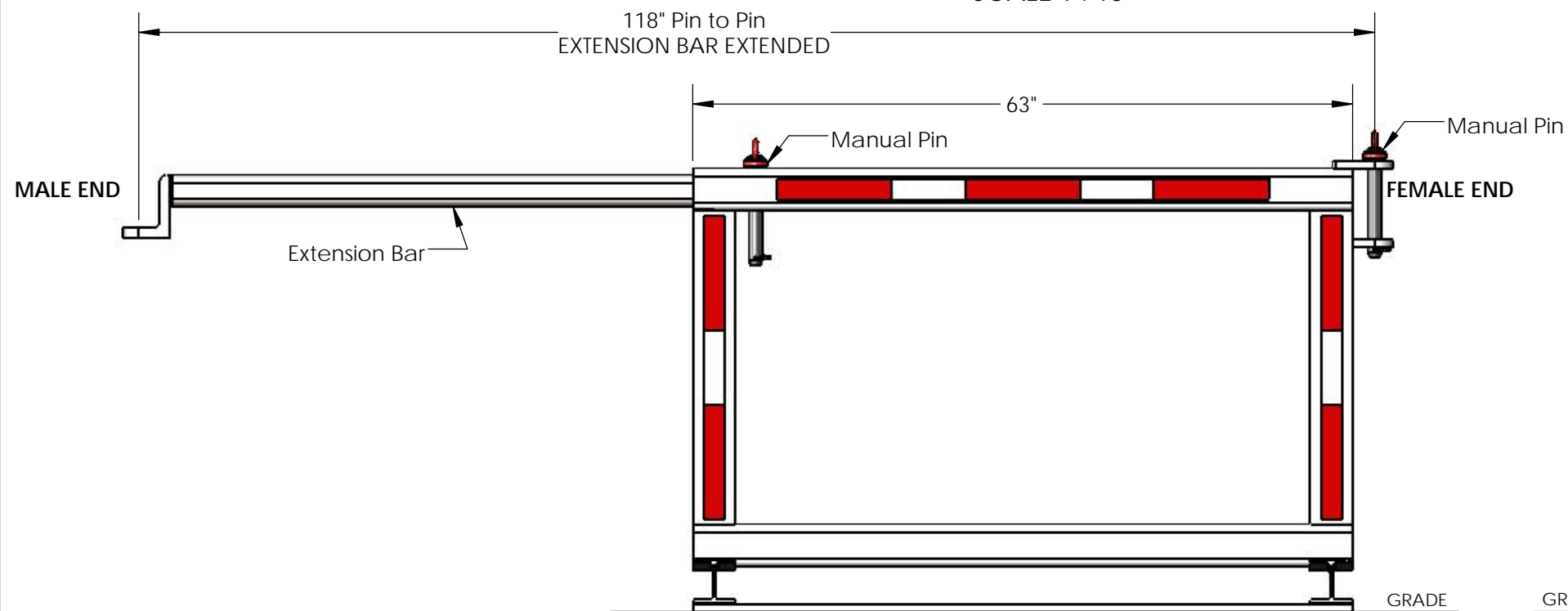


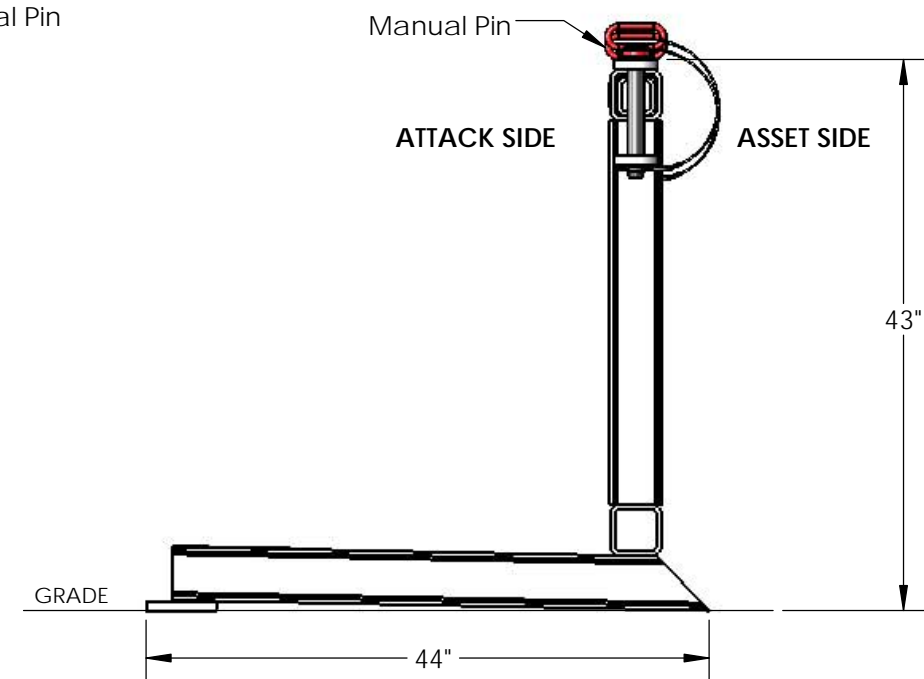
PLAN VIEW w/ Extension Bar (RETRACTED)
SCALE 1 : 15



DIMETRIC VIEW (EXTENDED)
(FOR REFERENCE ONLY)



FRONT ELEVATION VIEW (EXTENDED)
SCALE 1 : 15



RIGHT SIDE ELEVATION VIEW
SCALE 1 : 15

GENERAL NOTES

1. The 5ft configuration is not for stand alone applications.
2. Male End connects to Female End of incoming MVB for continuous installation.
3. Extension Bar locks into fully extended or retracted positions only.
4. Standard Coating: ASTM A-123, Hot Dip Galvanized.

PROPRIETARY AND CONFIDENTIAL THE INFORMATION CONTAINED IN THIS DRAWING IS THE SOLE PROPERTY OF GIBRALTAR. ANY REPRODUCTION IN PART OR AS A WHOLE WITHOUT THE WRITTEN PERMISSION OF GIBRALTAR IS PROHIBITED.				PRODUCT: 5ft Modular Vehicle Barrier	SHEET DESCRIPTION: MVB-5 Standard Layout																							
<table border="1"> <thead> <tr> <th>REV #</th> <th>DESCRIPTION:</th> <th>DRAWN BY:</th> <th>APPD BY:</th> <th>DATE:</th> </tr> </thead> <tbody> <tr> <td>3</td> <td>Revised to extend connection tube</td> <td>SW</td> <td>JP</td> <td>11-27-17</td> </tr> <tr> <td>2</td> <td>Revised to show reflectors</td> <td>SW</td> <td>JP</td> <td>10-11-17</td> </tr> <tr> <td>1</td> <td>Approved for distribution</td> <td>EJ</td> <td>JH</td> <td>10-05-17</td> </tr> <tr> <td>0</td> <td>Issued for approval</td> <td>EJ</td> <td>JH</td> <td>10-04-17</td> </tr> </tbody> </table>	REV #	DESCRIPTION:	DRAWN BY:	APPD BY:	DATE:	3	Revised to extend connection tube	SW	JP	11-27-17	2	Revised to show reflectors	SW	JP	10-11-17	1	Approved for distribution	EJ	JH	10-05-17	0	Issued for approval	EJ	JH	10-04-17			PROJECT: STANDARD
REV #	DESCRIPTION:	DRAWN BY:	APPD BY:	DATE:																								
3	Revised to extend connection tube	SW	JP	11-27-17																								
2	Revised to show reflectors	SW	JP	10-11-17																								
1	Approved for distribution	EJ	JH	10-05-17																								
0	Issued for approval	EJ	JH	10-04-17																								
		SCALE: 1:15	SHEET: 1 OF 1	DWG # MVB-5-SL																								