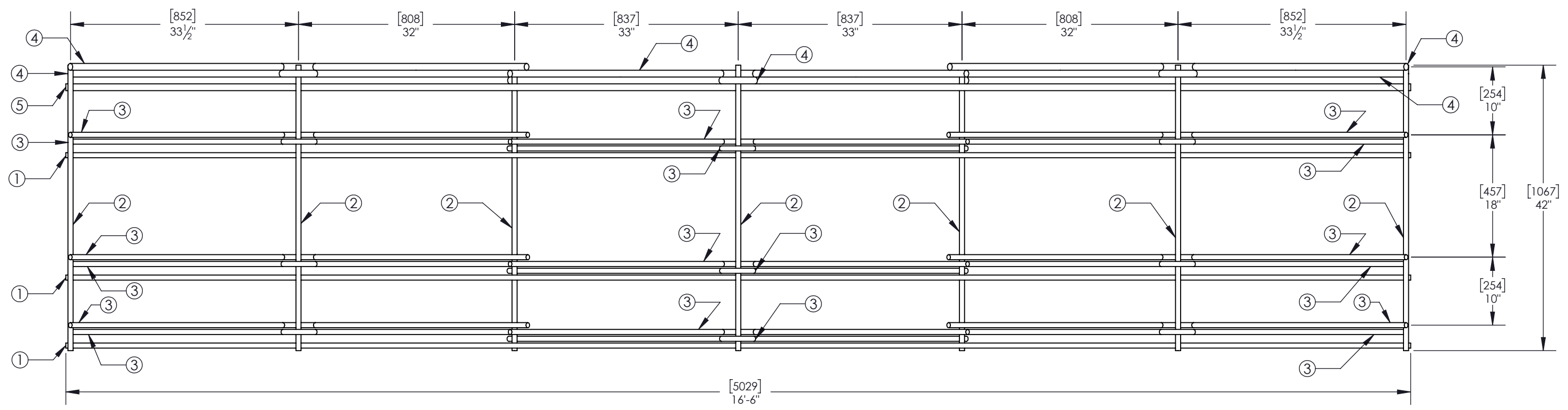


PLAN VIEW REBAR  
SCALE 1 : 15



ELEVATION VIEW REBAR  
SCALE 1 : 15

G-1350 REBAR B.O.M.				
ITEM NO.	DESCRIPTION	MEASURE (in)	QTY.	SHEET NO.
1	#6 Rebar	198	6	4
2	#6 Rebar	42	14	4
3	#6 Bent Rebar	48 X 48	18	4
4	#8 Bent Rebar	48 X 48	6	4
5	#8 Rebar	198	2	4

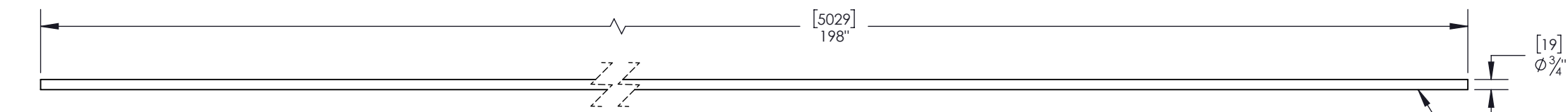
GENERAL NOTES

- For additional information contact Gibraltar at 1-800-495-8957.
- All concrete shall be per specification MIN. 4000 PSI [27.6 MPa] with 7lbs fiber per yd. [3.47kg per meter], by others. Refer to drawing# SL-1350 for Bollard and installation layout.
- Units: Metric rounded to nearest [mm]. IPS measurements rounded to the nearest 1/2".

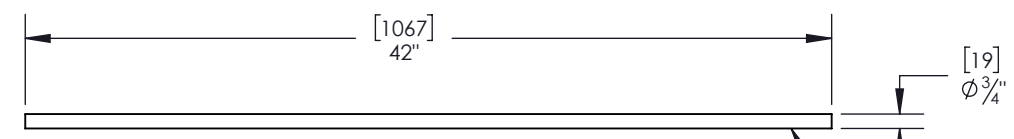
PROPRIETARY AND CONFIDENTIAL THE INFORMATION CONTAINED IN THIS DRAWING IS THE SOLE PROPERTY OF GIBRALTAR. ANY REPRODUCTION IN PART OR AS A WHOLE WITHOUT THE WRITTEN PERMISSION OF GIBRALTAR IS PROHIBITED.				PRODUCT: <b>G-1350 Bollard M50-P1</b>	SHEET DESCRIPTION: <b>Rebar Assembly</b>
REV # 2 1 0	DESCRIPTION: Added metric PSI note for concrete Approved for distribution Issued for approval	DRAWN BY: EJ	APPD BY: JP BN JP	DATE: 01-06-17 12-22-16 11-16-16	PROJECT: <b>Standard</b>
				SCALE: 1:15	SHEET: 1 OF 2
				DWG # SL-1350-R	

**G-1350 REBAR B.O.M**

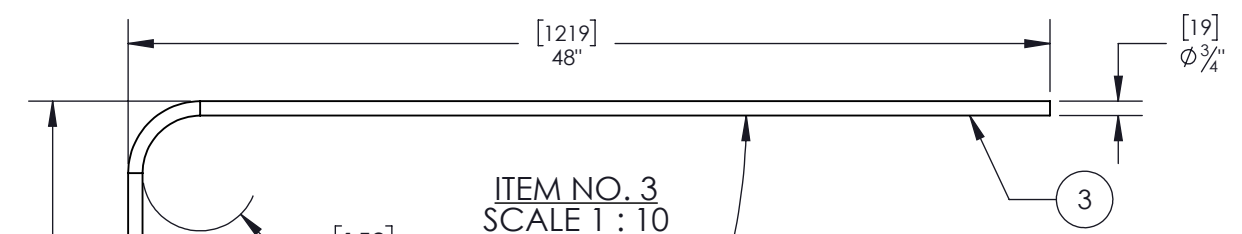
ITEM NO.	DESCRIPTION	MEASURE (in)	QTY.
1	#6 Rebar	198	6
2	#6 Rebar	42	14
3	#6 Bent Rebar	48 X 48	18
4	#8 Bent Rebar	48 X 48	6
5	#8 Rebar	198	2



ITEM NO. 1  
SCALE 1 : 10

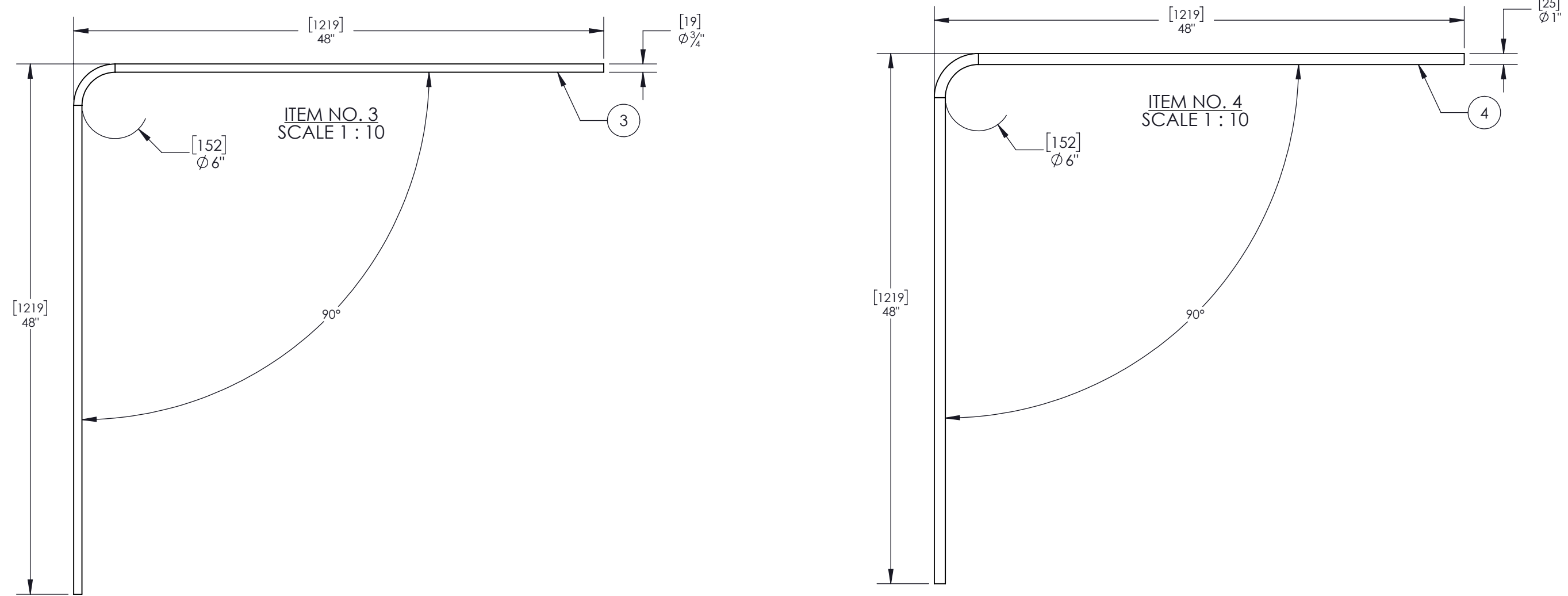


ITEM NO. 2  
SCALE 1 : 10

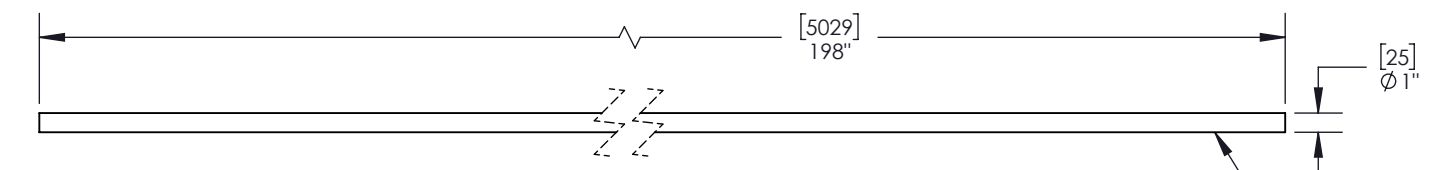


ITEM NO. 3  
SCALE 1 : 10

[1219]  
48"



ITEM NO. 4  
SCALE 1 : 10



ITEM NO. 5  
SCALE 1 : 10

PROPRIETARY AND CONFIDENTIAL THE INFORMATION CONTAINED IN THIS DRAWING IS THE SOLE PROPERTY OF GIBALTAR. ANY REPRODUCTION IN PART OR AS A WHOLE WITHOUT THE WRITTEN PERMISSION OF GIBALTAR IS PROHIBITED.				
REV #	DESCRIPTION:	DRAWN BY:	APPD BY:	DATE:
2	Added metric PSI note for concrete	EJ	JP	01-06-17
1	Approved for distribution	EJ	BN	12-22-16
0	Issued for approval	EJ	JP	11-16-16

PRODUCT:  
**G-1350 Bollard M50-P1**

SHEET DESCRIPTION:  
**Rebar Part Details**



PROJECT:  
**Standard**

SCALE: 1:10    SHEET: 2 OF 2    DWG # SL-1350-R