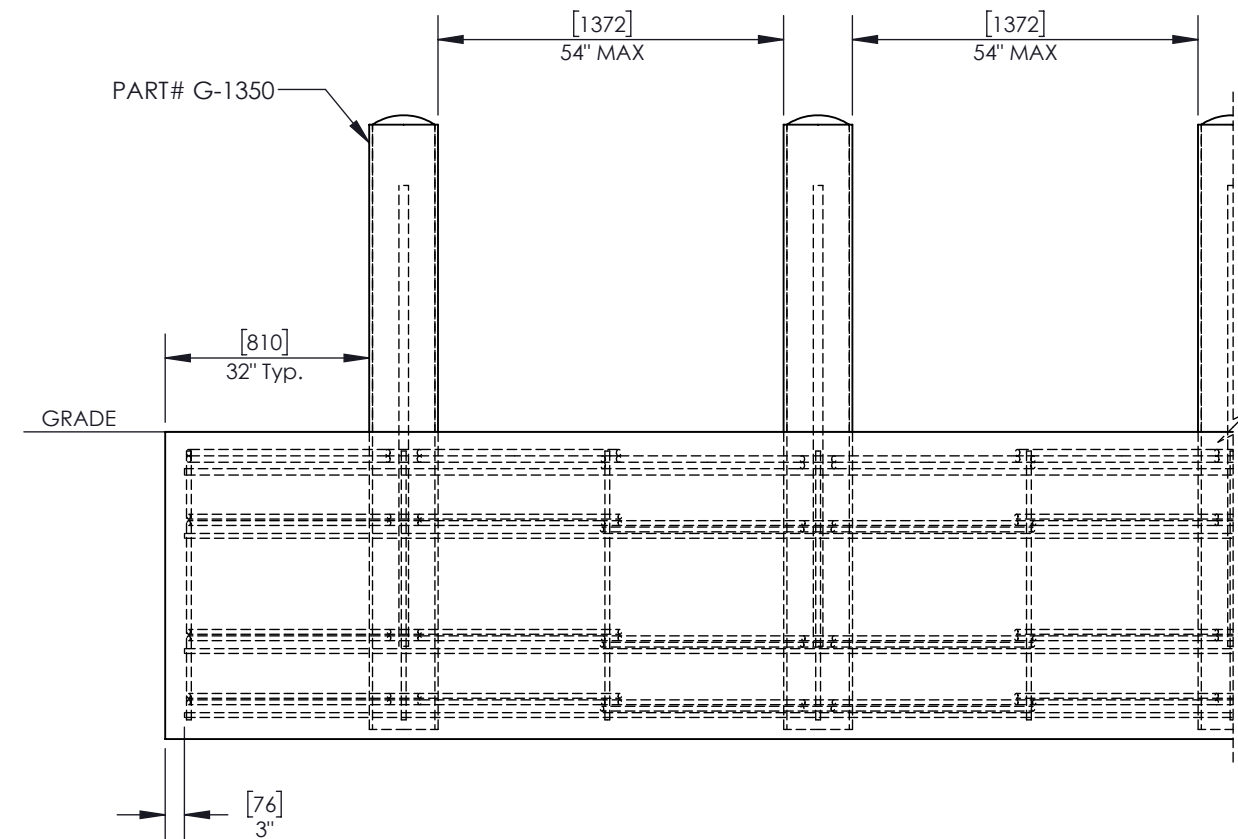
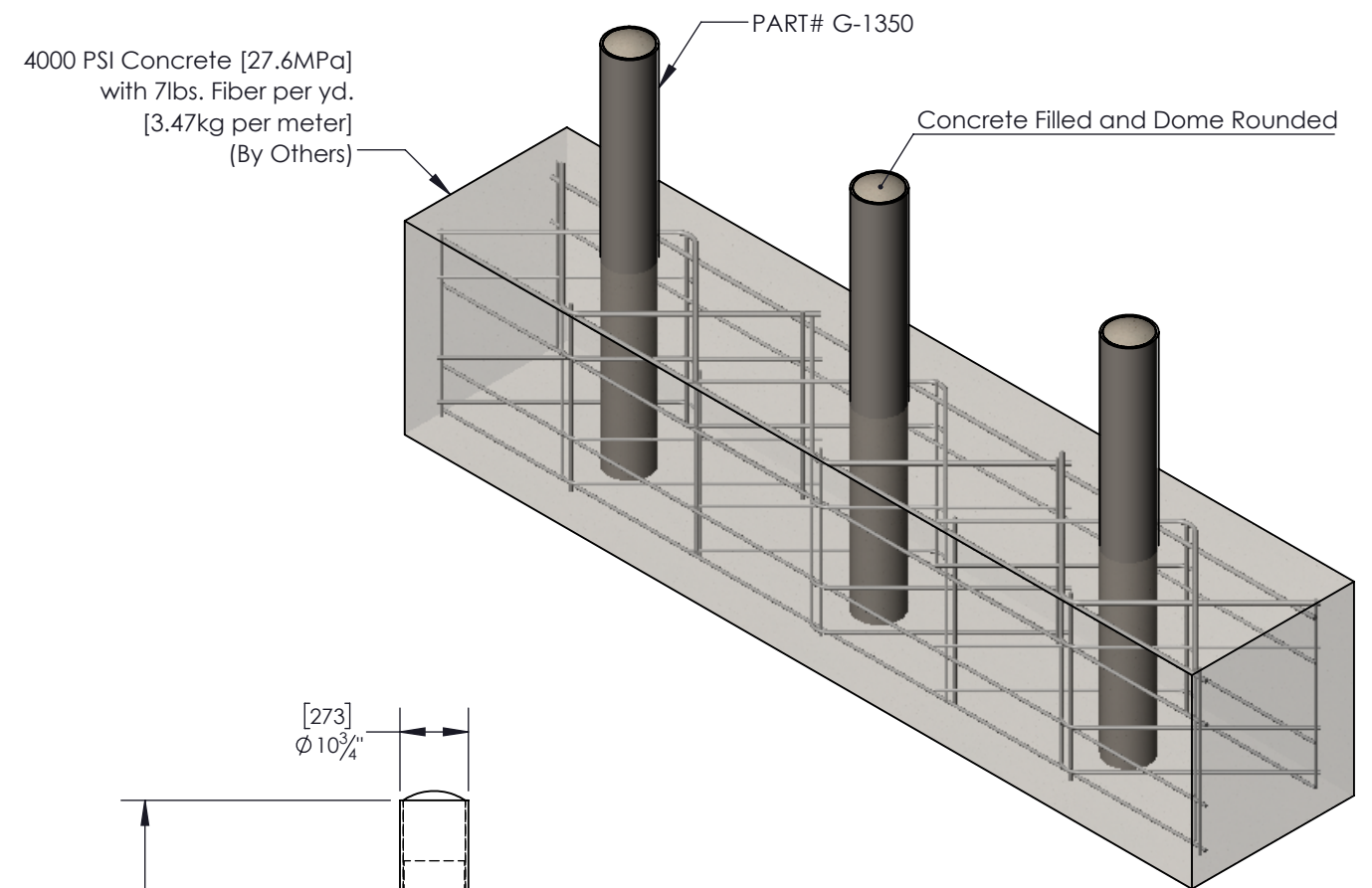


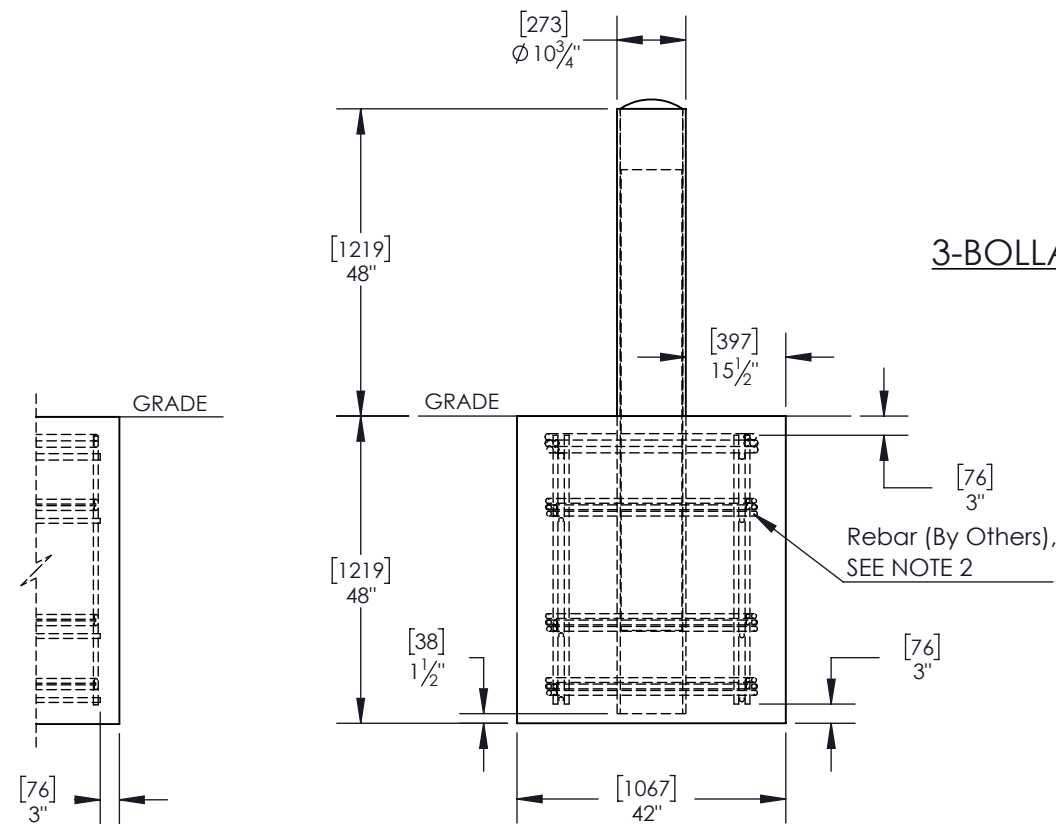
PLAN VIEW
SCALE 1 : 30



FRONT ELVATION VIEW (ATTACK SIDE)
SCALE 1 : 30



3-BOLLARD LAYOUT ISOMETRIC VIEW
SCALE 1 : 35

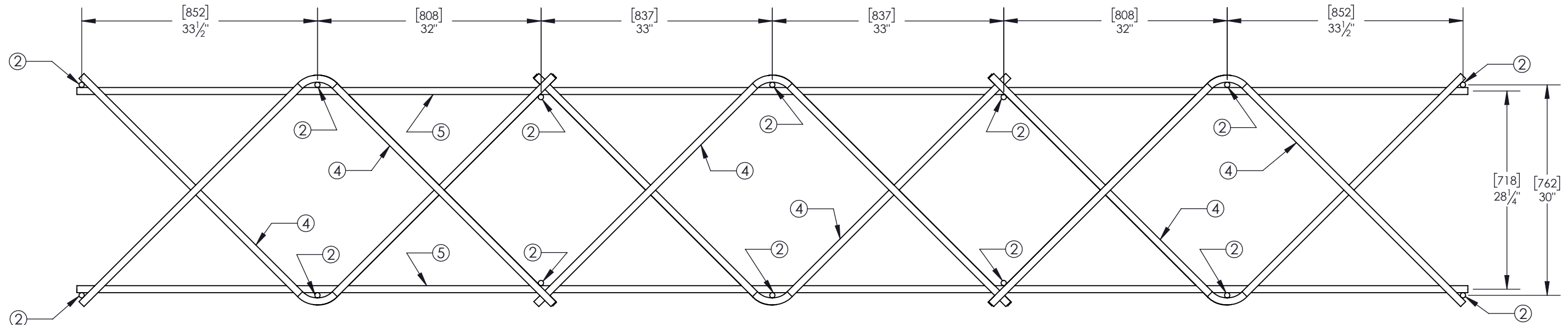


SIDE ELEVATION VIEW
SCALE 1 : 30

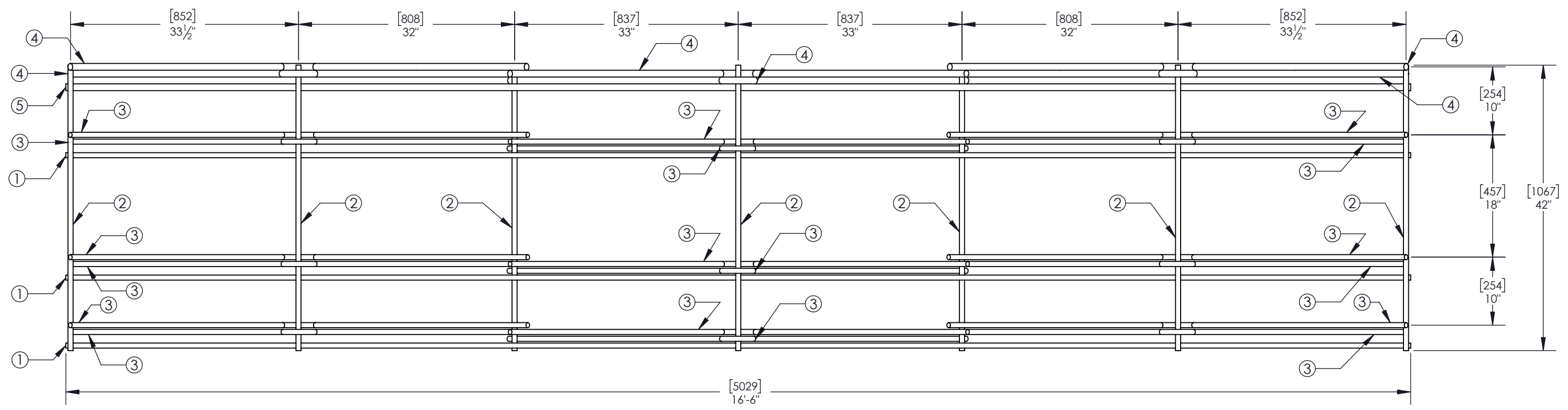
GENERAL NOTES

1. For additional information contact Gibraltar at 1-800-495-8957.
2. All concrete shall be per specification minimum 4000 PSI [27.6 MPa] with 7lbs. fiber per yd. [3.47kg per meter], by others. Rebar layout drawings available upon request.
3. The foundation dimensions shown represent the certified minimum. For arrays of more than 3 Bollards expand with typical spacings, as shown.
4. Units: Metric rounded to nearest [mm]. IPS measurements are rounded to the nearest 1/2".

PROPRIETARY AND CONFIDENTIAL THE INFORMATION CONTAINED IN THIS DRAWING IS THE SOLE PROPERTY OF GIBRALTAR. ANY REPRODUCTION IN PART OR AS A WHOLE WITHOUT THE WRITTEN PERMISSION OF GIBRALTAR IS PROHIBITED.				PRODUCT: G-1350 M50-P1 Standard Foundation Bollard		SHEET DESCRIPTION: 3-Bollard Layout																		
<table border="1"> <thead> <tr> <th>REV #</th> <th>DESCRIPTION:</th> <th>DRAWN BY:</th> <th>APPD BY:</th> <th>DATE:</th> </tr> </thead> <tbody> <tr> <td>2</td> <td>Added metric PSI note for concrete</td> <td>EJ</td> <td>JP</td> <td>01-06-17</td> </tr> <tr> <td>1</td> <td>Approved for distribution</td> <td>EJ</td> <td>BN</td> <td>12-22-16</td> </tr> <tr> <td>0</td> <td>Issued for approval</td> <td>EJ</td> <td>JP</td> <td>11-16-16</td> </tr> </tbody> </table>	REV #	DESCRIPTION:	DRAWN BY:	APPD BY:	DATE:	2	Added metric PSI note for concrete	EJ	JP	01-06-17	1	Approved for distribution	EJ	BN	12-22-16	0	Issued for approval	EJ	JP	11-16-16			PROJECT: Standard	
REV #	DESCRIPTION:	DRAWN BY:	APPD BY:	DATE:																				
2	Added metric PSI note for concrete	EJ	JP	01-06-17																				
1	Approved for distribution	EJ	BN	12-22-16																				
0	Issued for approval	EJ	JP	11-16-16																				
		SCALE:	SHEET:	DWG #																				
		VARIES	1 OF 1	SL-1350																				



PLAN VIEW REBAR
SCALE 1 : 15



ELEVATION VIEW REBAR
SCALE 1 : 15

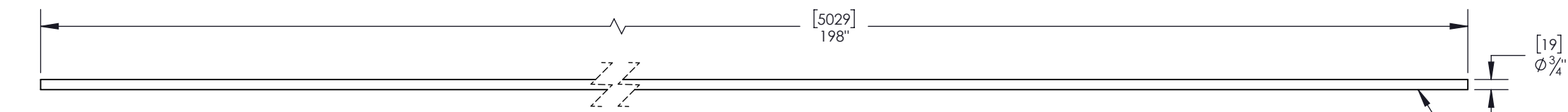
G-1350 REBAR B.O.M.				
ITEM NO.	DESCRIPTION	MEASURE (in)	QTY.	SHEET NO.
1	#6 Rebar	198	6	4
2	#6 Rebar	42	14	4
3	#6 Bent Rebar	48 X 48	18	4
4	#8 Bent Rebar	48 X 48	6	4
5	#8 Rebar	198	2	4

GENERAL NOTES

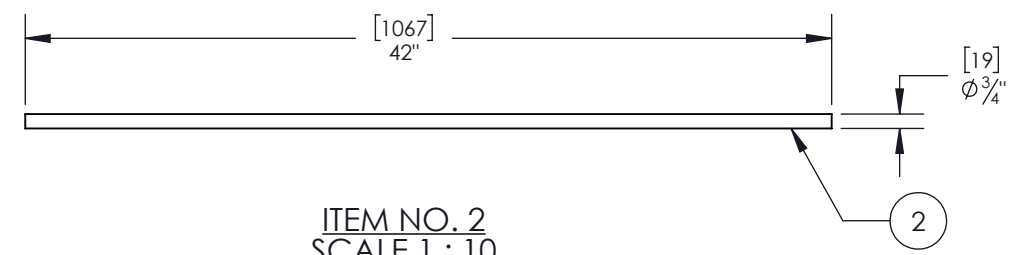
- For additional information contact Gibraltar at 1-800-495-8957.
- All concrete shall be per specification MIN. 4000 PSI [27.6 MPa] with 7lbs fiber per yd. [3.47kg per meter], by others. Refer to drawing# SL-1350 for Bollard and installation layout.
- Units: Metric rounded to nearest [mm]. IPS measurements rounded to the nearest 1/2".

PROPRIETARY AND CONFIDENTIAL THE INFORMATION CONTAINED IN THIS DRAWING IS THE SOLE PROPERTY OF GIBRALTAR. ANY REPRODUCTION IN PART OR AS A WHOLE WITHOUT THE WRITTEN PERMISSION OF GIBRALTAR IS PROHIBITED.				PRODUCT: G-1350 Bollard M50-P1	SHEET DESCRIPTION: Rebar Assembly
REV # 2 1 0	DESCRIPTION: Added metric PSI note for concrete Approved for distribution Issued for approval	DRAWN BY: EJ	APPD BY: JP BN JP	DATE: 01-06-17 12-22-16 11-16-16	PROJECT: Standard
		SCALE: 1:15	SHEET: 1 OF 2	DWG # SL-1350-R	

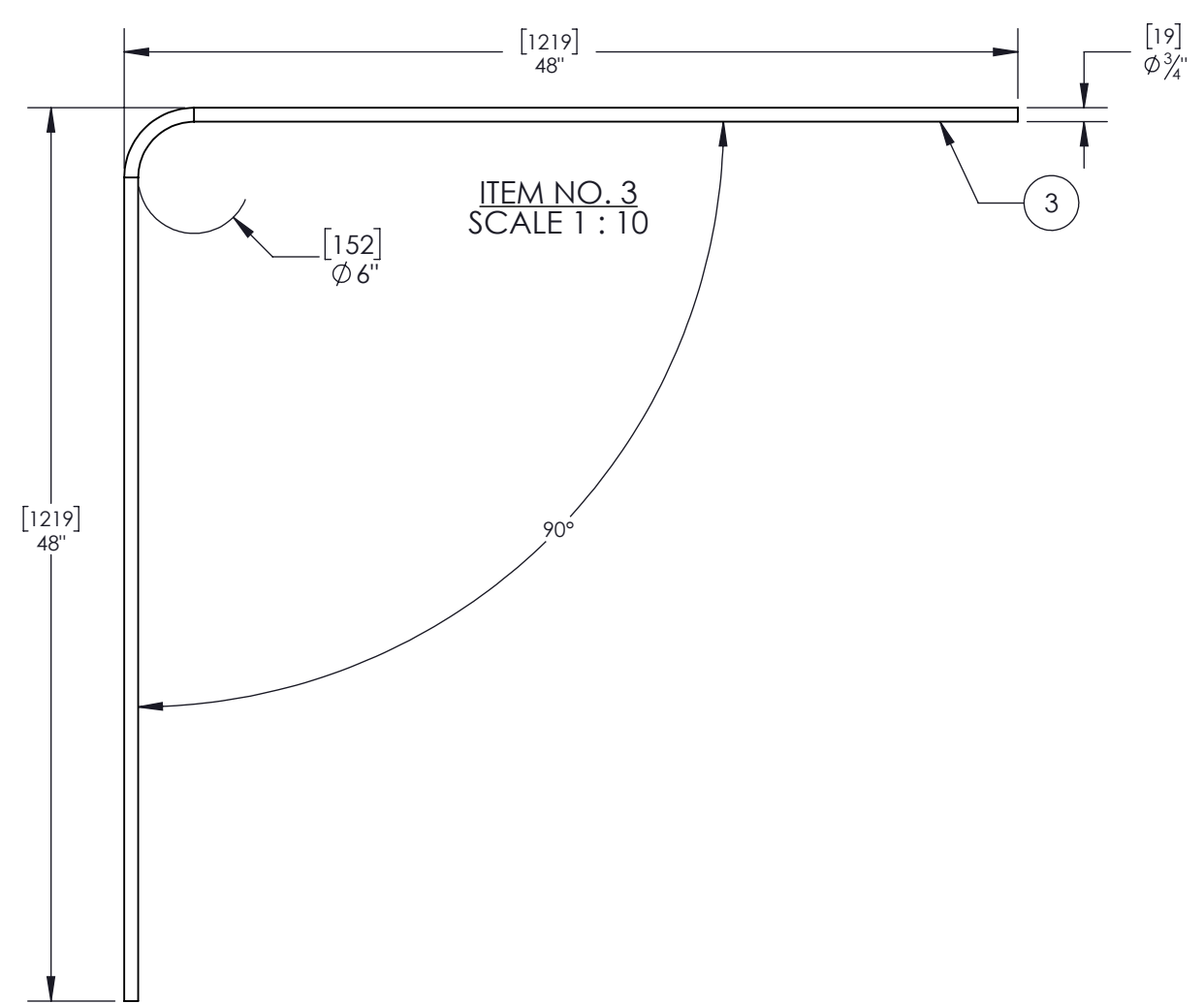
G-1350 REBAR B.O.M			
ITEM NO.	DESCRIPTION	MEASURE (in)	QTY.
1	#6 Rebar	198	6
2	#6 Rebar	42	14
3	#6 Bent Rebar	48 X 48	18
4	#8 Bent Rebar	48 X 48	6
5	#8 Rebar	198	2



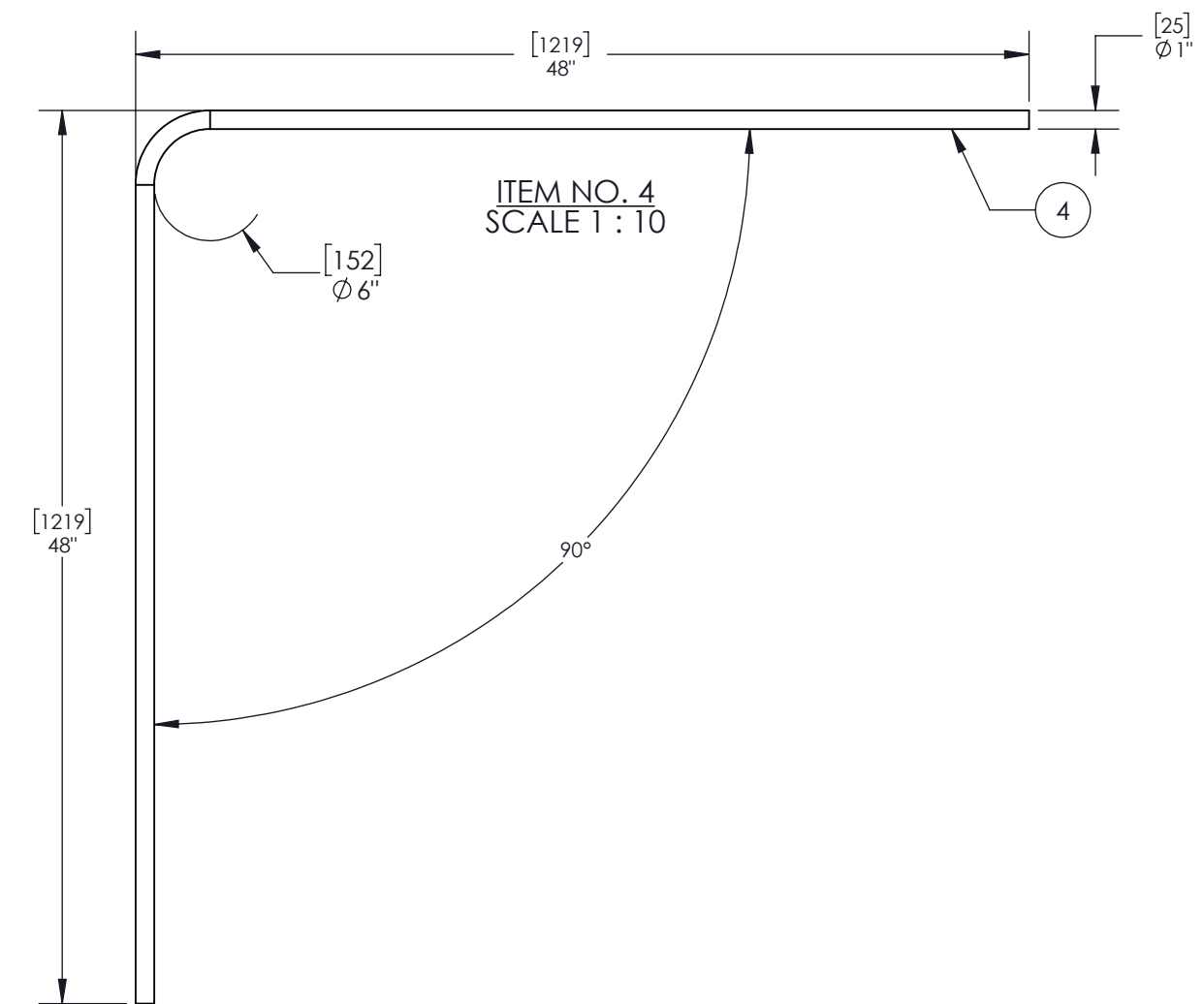
ITEM NO. 1
SCALE 1 : 10



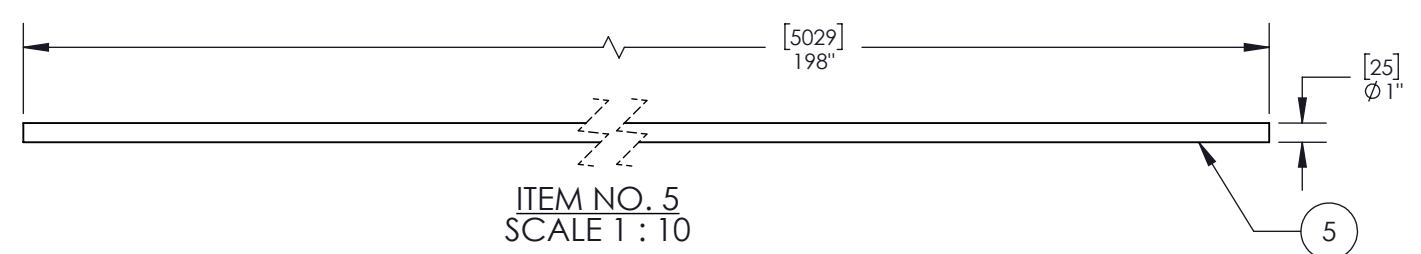
ITEM NO. 2
SCALE 1 : 10



ITEM NO. 3
SCALE 1 : 10



ITEM NO. 4
SCALE 1 : 10



ITEM NO. 5
SCALE 1 : 10

PROPRIETARY AND CONFIDENTIAL THE INFORMATION CONTAINED IN THIS DRAWING IS THE SOLE PROPERTY OF GIBALTAR. ANY REPRODUCTION IN PART OR AS A WHOLE WITHOUT THE WRITTEN PERMISSION OF GIBALTAR IS PROHIBITED.				
REV #	DESCRIPTION:	DRAWN BY:	APPD BY:	DATE:
2	Added metric PSI note for concrete	EJ	JP	01-06-17
1	Approved for distribution	EJ	BN	12-22-16
0	Issued for approval	EJ	JP	11-16-16

PRODUCT:
G-1350 Bollard M50-P1

SHEET DESCRIPTION: Rebar Part Details		
PROJECT: Standard		
SCALE: 1:10	SHEET: 2 OF 2	DWG # SL-1350-R