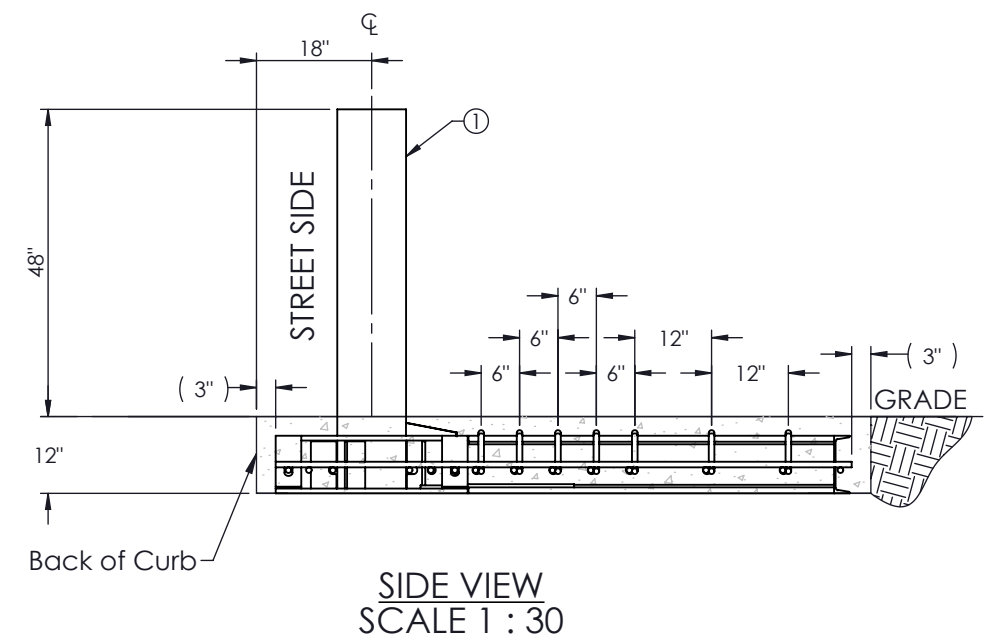
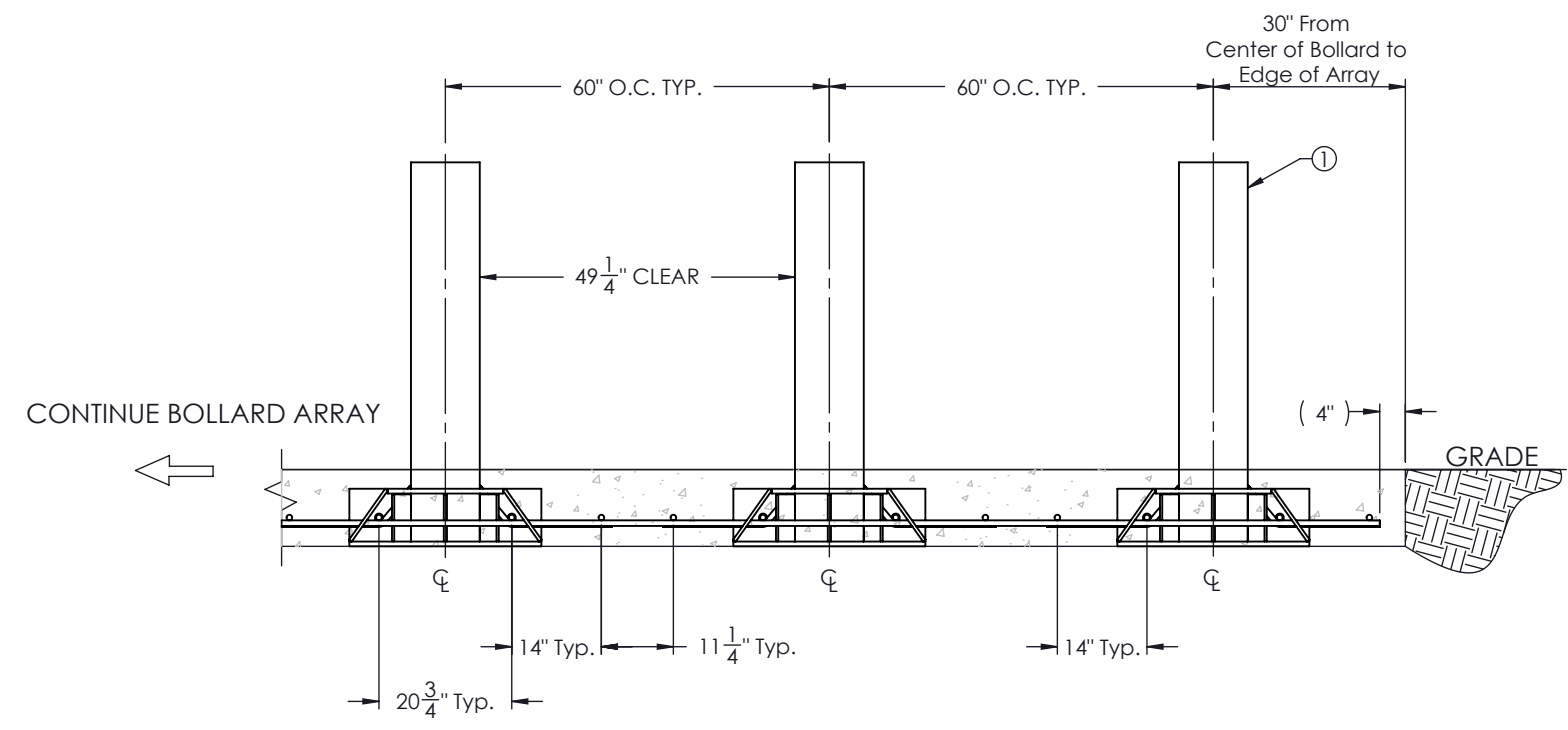


G-1150 SHALLOW MOUNT BOLLARD SYSTEM			
ITEM NO.	DESCRIPTION	MEASURE	REBAR QTY/BOLLARD
1	M50 P1 Shallow Mount Bollard		
2	#7 Horizontal Rebar (Continuous)	CONTINUOUS	14
3	#7 Vertical Rebar	7'-6"	4
4	#7 Bent Rebar	4'-10"	7

GENERAL NOTES

1. For additional information contact Gibraltar at 1-800-495-8957.
2. All concrete shall be per specification; minimum 5000PSI with a maximum water to cement ratio of 0.45.
3. All rebar is #7 and should have 3" minimum clear cover.
4. Rebar and concrete not provided by Gibraltar.
5. Continue bollard and rebar pattern for longer array installation.
6. ② Horizontal bars must be installed continuously for a minimum of three consecutive bollards. Overlapping of horizontal bars not required between arrays. This is typical for all Gibraltar Shallow Mount Bollard Systems.



PROPRIETARY AND CONFIDENTIAL THE INFORMATION CONTAINED IN THIS DRAWING IS THE SOLE PROPERTY OF GIBRALTAR. ANY REPRODUCTION IN PART OR AS A WHOLE WITHOUT THE WRITTEN PERMISSION OF GIBRALTAR IS PROHIBITED.				PRODUCT: G-1150	SHEET DESCRIPTION: M50 P1 Shallow Mount Bollard System Overview		
REV # 0	DESCRIPTION: Approved for distribution	DRAWN BY: JP	APPD BY: JH	DATE: 05/15/2020		PROJECT: Standard	
						SCALE: Varies	SHEET: 1 OF 1