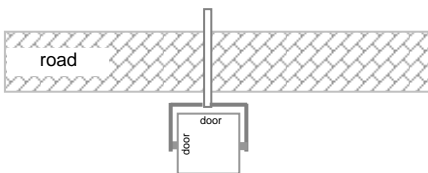




Rapid industrial rising gate for vehicle access control at **very wide** access points: Industrial sites, traffic management, etc.

## Configurations



## Description of standard equipment

1. Folded and welded sheet metal body, ranging from 1/8 to 5/16 in. [3 to 8 mm] thick.
2. Lateral and frontal doors with peripheral sealing joint and lock, ensuring easy access to the mechanism (see illustration).
3. Removable top cover, with key lock.
4. Round, central aluminum arm, white lacquered with red reflective strips. The arm is composed of segments of 3.93-3.52-3.29 in. [100-90-84 mm] (in diameter) that fit together to obtain lengths of up to 10ft [3m], 10 to 20 ft [3 to 6 m], and above 20ft [6m] (respectively). The arm is braced by galvanized steel cables for lengths of 23.1 ft [7m] and more.
5. Solid drive shaft for the arm, with a diameter of 2 in. [50 mm], mounted on 2 bearings lubricated for entire service life.
6. Electromechanical assembly:
  - Reversible three-phase asynchronous gear motor, ensuring protection of the mechanism in the event of forced lifting of the arm due to fraud.
  - Secondary transmission via gearwheel and sprocket wheel. Maintaining the arm in its two extreme positions (open and closed), as well as after a STOP command is achieved by means of an electromagnetic brake.
  - Frequency inverter ensuring progressive accelerations and cushioned decelerations, for movement without vibrations, direction inversion without jolts (reopening) and increased protection of the mechanism.
  - Electronic limitation of the electromechanical assembly torque allowing for the immediate stop of the arm during closing in the event of an obstacle.
  - Inductive limit switches.
  - Balancing of the arm by means of one or more compression springs, depending on the weight of the arm.
7. Configurable AS1320 electronic control board allowing for various control options and/or additional accessories.
8. Terminal block, located on the control board, with the ability to communicate with external device:
  - Providing status of the arm position (open or closed)
  - Providing status of the presence detectors
  - Allowing for master-slave control of 2 barriers opposite each other (movement of one barrier controlled by the other barrier).
  - ...

### Surface treatments

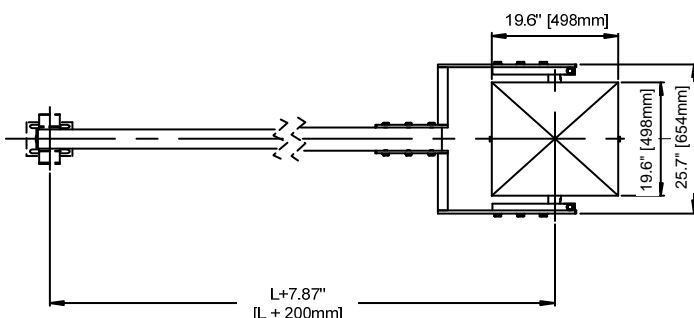
- Zinc-coated internal mechanical parts.
- Complete body (housing, base plate, cover and doors): zinc dusting + RAL2000 orange epoxy paint. Total thickness of the surface treatment exceeds 160 µm.

### Standard technical specifications

<b>Input power<sup>(1)</sup></b>	120 VAC / 60 Hz (with ground)
<b>Consumption</b>	450 W (nominal) - 950 W (max. with biggest heater)
<b>Motor</b>	Three-phase 240 V / 250 W controlled by frequency inverter
<b>Transmission</b>	Reversible ring and pinion speed reducer, service factor 1.2
<b>Arm length (L)</b>	19.7 to 39.4 ft [6 to 12m] <i>Increments of 1.63 ft [0.5m]</i>
<b>Operating temperature</b>	-4°F to 122°F (-20°C to 50°C)
<b>Relative Humidity</b>	95% without condensation
<b>Wind resistance</b>	74.6 mi/h [120 km/h]
<b>Opening speed<sup>(2)</sup></b>	3.5 s
<b>Closing speed<sup>(2)</sup></b>	5.5 s
<b>Weight (without arm)</b>	506 lbs (230 kg)
<b>Weight arm<sup>(3)</sup></b>	44 to 66 lbs (20 to 30 kg)
<b>MCBF<sup>(4)</sup></b>	1,250,000 cycles <i>(with recommended maintenance)</i>

- (1) not to be connected to a floating network or to high impedance earthed industrial distribution network  
 (2) adjustable through the control board  
 (3) Depending on length and without options.  
 (4) Mean Cycle Before Failure

### Standard dimensions in inches [mm]



### Options

1. Automatic opening of the arm during power failure <sup>(a)</sup>.
2. Mechanical locking of the arm in opened and/or closed position upon power failure <sup>(b)</sup>.  
The behavior desired in case of power failure (locked or not) must be specified at time of order.
3. Standard adjustable tip support.
4. Electromagnetic tip support .
5. Folding tip support.
6. Safety edge.
7. STOP sign with a diameter of 300 mm.
8. Traffic lights mounted on a post on housing.
9. Traffic lights mounted on a standalone post.
10. Push-button box.
11. Key switch
12. Radio transmitter/receiver.
13. Detection loop.
14. Presence detector for inductive loops.
15. Photoelectric cell to open, close or automatically stop the barrier arm
16. Photoelectric cell support post
17. AS1321 Entrance/Exit extension board CAN.
18. AS1049 board for third-party traffic signs.
19. Thermostatic 250W heating for operation to -13°F [-25°C]
20. Thermostatic 500W heating for operation to -49°F [-45°C]
21. Red arm light.
22. Raised base.
23. Rotating base.
24. Isolation anti-corrosion base.
25. Other RAL colors available.
26. Double stretcher to prevent deformation of longer arm lengths that remain in open position at rest.

(a) (b) *mutually incompatible options if locked in closed position.*

