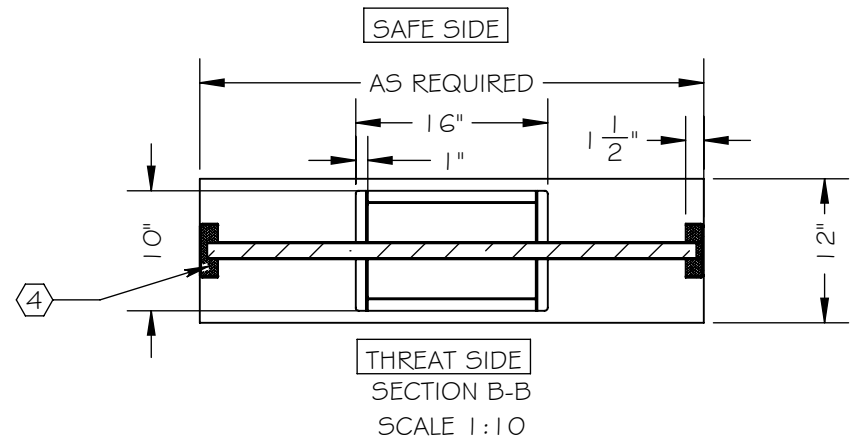
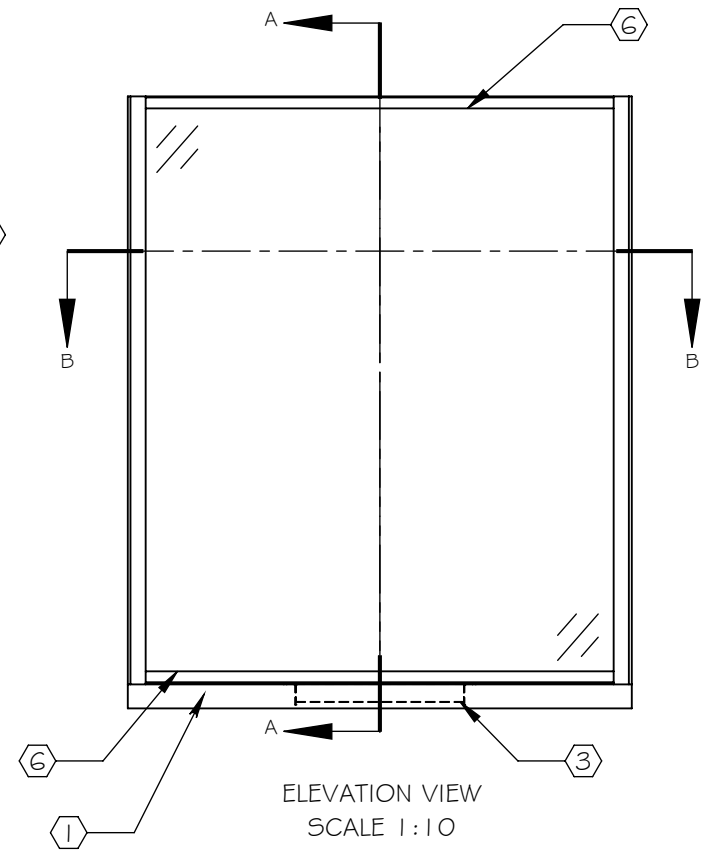
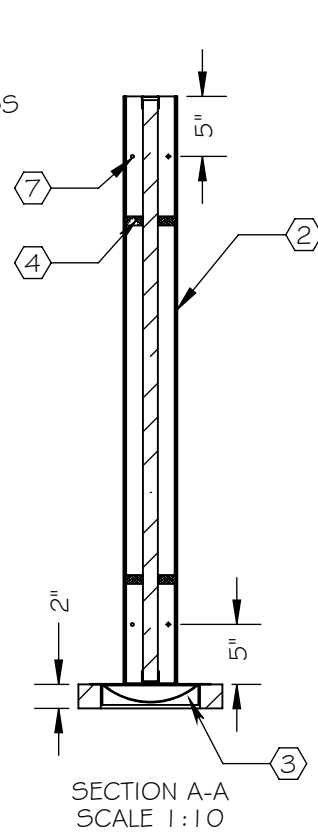
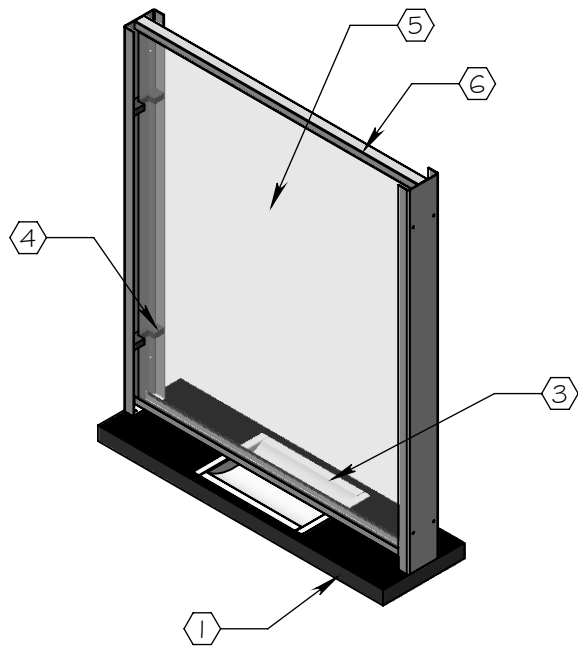


NOTES:

- ① HIGH PRESSURE LAMINATED PLACK PLASTIC SHELF (STAINLESS STEEL OPTIONAL)
- ② STAINLESS STEEL FRAME
- ③ 16 GA. STAINLESS STEEL DEAL TRAY
- ④ NATURAL VOICE SPACERS
- ⑤ ARMORTEX® BULLET RESISTANT GLAZING
- ⑥ STAINLESS STEEL CAP TOP AND BOTTOM OF GLAZING
- ⑦ ANCHOR HOLES AS REQUIRED (NOT SHOWN)
- ⑧ REQUIRED FINISHED OPENING 1/4" GREATER THAN OVERALL DIMENSIONS



SCALE: AS NOTED	TITLE: TRANSACTION WINDOW C-CHANNEL	UNLESS OTHERWISE SPECIFIED: DIMENSIONS ARE IN INCHES TOLERANCES: FRACTIONAL: ±1/16" ANGULAR: ±1° TWO PLACE DECIMAL: ±.01 THREE PLACE DECIMAL: ±.005	<b>ARMORTEX®</b> BULLET • BLAST • FORCED ENTRY - PROTECTION PRODUCTS 5926 CORRIDOR PKWY SCHERTZ, TX 78154 TEL: 210-661-8306 800-880-8306 FAX: 210-661-8308 www.armortex.com
DATE: 06-09-2015	MODEL: WI-TW-SS-CW SHEET		
DRAWN BY: M. FREEMAN	NUMBER: 1 OF 1		