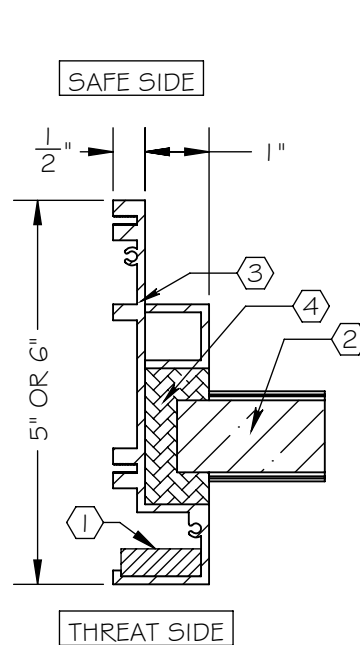
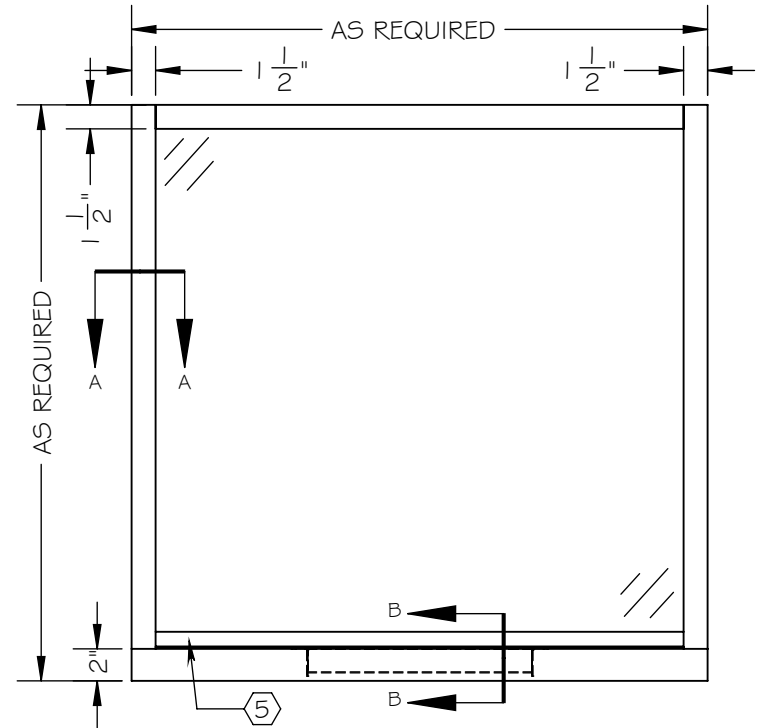


NOTES:

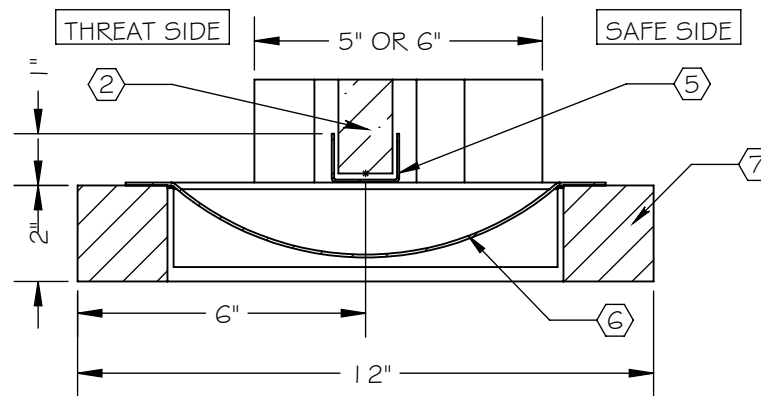
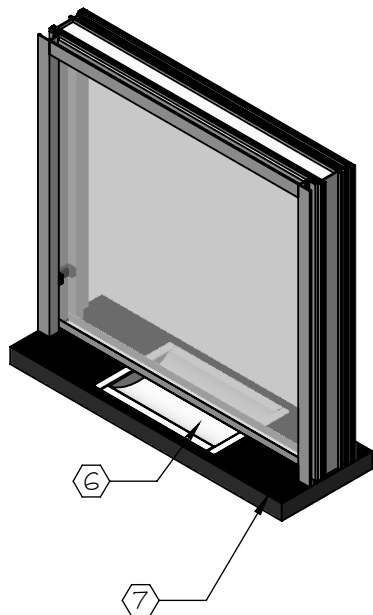
- ① ARMORTEX® BULLET RESISTANT ARMOR
- ② ARMORTEX® BULLET RESISTANT GLAZING
- ③ EXTRUDED ALUMINUM FRAME (CLEAR ANODIZED)
- ④ NATURAL VOICE SPACER
- ⑤ STAINLESS STEEL CAPS
- ⑥ STAINLESS STEEL DEAL TRAY
- ⑦ HIGH PRESSURE LAMINATED BLACK PLASTIC SHELF (STAINLESS STEEL OPTIONAL)
- ⑧ ANCHORS AS REQUIRED (NOT SHOWN)



SECTION A-A
SCALE 1 : 3



ELEVATION VIEW
SCALE 1 : 16



SECTION B-B
SCALE 1 : 4

| | | |
|----------------------|--|---|
| SCALE: AS NOTED | TITLE: TRANSACTION WINDOW NATURAL VOICE | UNLESS OTHERWISE SPECIFIED: DIMENSIONS ARE IN INCHES TOLERANCES: FRACTIONAL: ±1/16" ANGULAR: ±1° TWO PLACE DECIMAL ±.01 THREE PLACE DECIMAL ±.005 |
| DATE: 06-22-2015 | MODEL: WI-TW-AL-NV | |
| DRAWN BY: M. FREEMAN | SHEET NUMBER: 1 OF 1 | |

ARMORTEX®
 BULLET • BLAST • FORCED ENTRY - PROTECTION PRODUCTS
 5926 CORRIDOR PKWY SCHERTZ, TX 78154
 TEL: 210-661-8306 800-880-8306 FAX: 210-661-8308
www.armortex.com