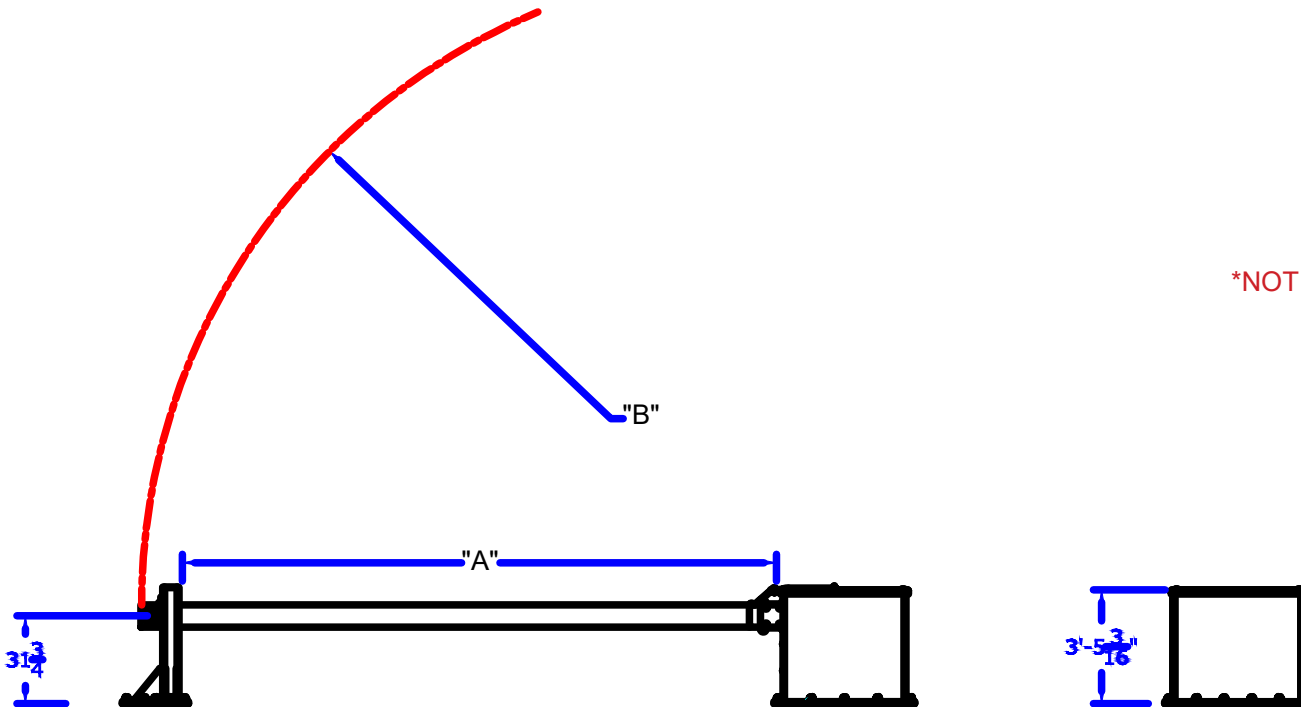




TOP VIEW
GATE SECURE



SAFE SIDE VIEW
GATE SECURE

OPENING LENGTH "A"	NOM. OPENING RADIUS "B"	
10'	12' 5"	
11'	13' 5"	
12'	14' 5"	
13'	15' 5"	
14'	16' 5"	
15'	17' 5"	
16'	18' 5"	
17'	19' 5"	
18'	20' 5"	
19'	21' 5"	
20'	22' 5"	
21'	23' 5"	
22'	24' 5"	

NOT FOR CONSTRUCTION

PROPRIETARY INFORMATION

This drawing is the proprietary property of AMERISTAR, Tulsa, OK and must not be duplicated or used in whole or in part for the making of drawings, prints or parts to the detriment of, or harm to, the owner. In accepting this drawing, the recipient agrees to keep the information contained confidential.



AMERISTAR ©

1555 N. Mingo
Tulsa, OK 74116
1-888-333-3422
www.ameristarfence.com

TITLE: M530 GENERAL ARRANGEMENT

DATE: 6/12/19

SCALE: N.T.S.

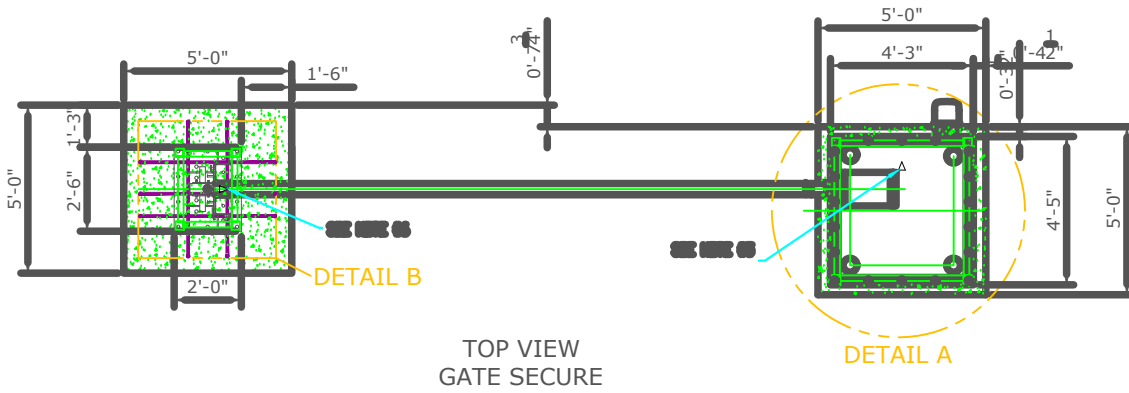
SHEET: 1/5

DRN BY: BMC

CHK BY: xxxxxxxx

REV: b

DRAWING NO: Website

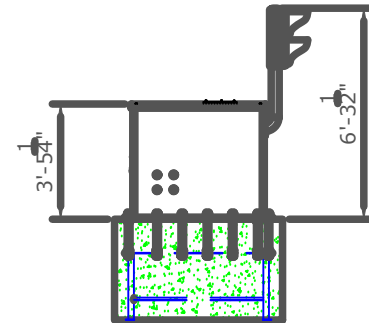
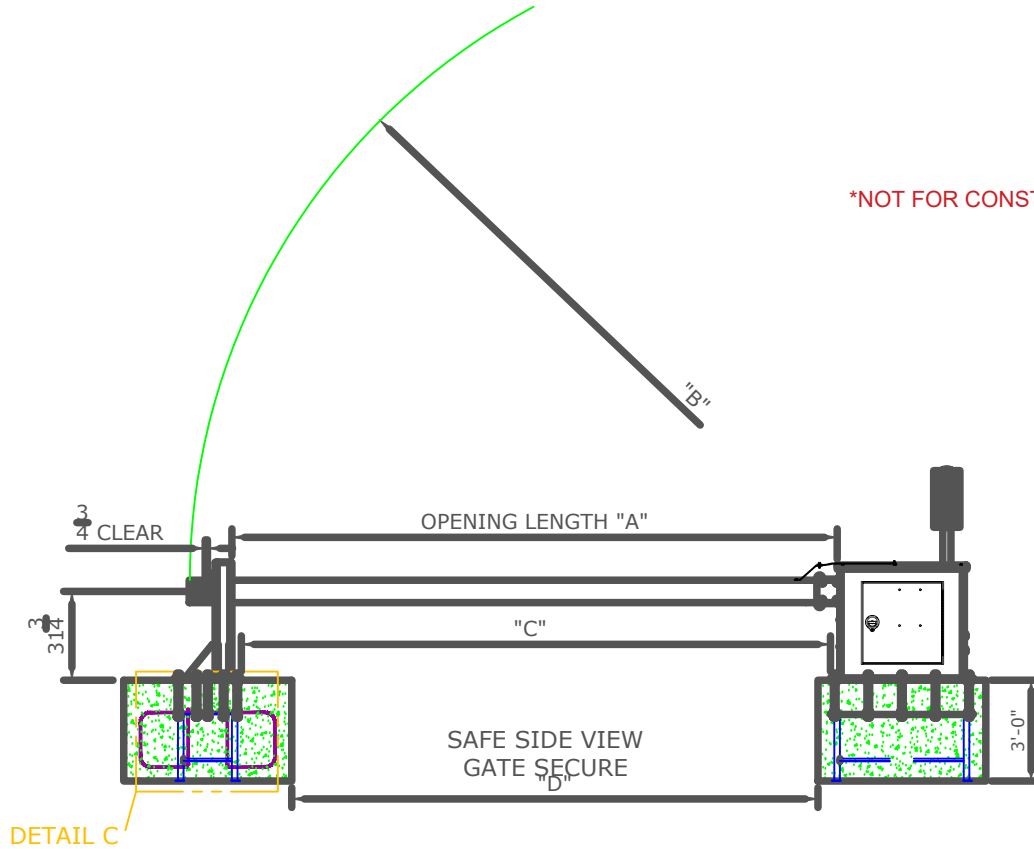


OPENING LENGTH "A"	NOM. OPENING RADIUS "B"	PLATE CLEARANCE "C"	FOUNDATION SEPARATION "D"
10'	12' 5"	09'-6 1/2"	07'- 8"
11'	13' 5"	10'-6 1/2"	08'- 8"
12'	14' 5"	11'-6 1/2"	09'- 8"
13'	15' 5"	12'-6 1/2"	10'- 8"
14'	16' 5"	13'-6 1/2"	11'- 8"
15'	17' 5"	14'-6 1/2"	12'- 8"
16'	18' 5"	15'-6 1/2"	13'- 8"
17'	19' 5"	16'-6 1/2"	14'- 8"
18'	20' 5"	17'-6 1/2"	15'- 8"
19'	21' 5"	18'-6 1/2"	16'- 8"
20'	22' 5"	19'-6 1/2"	17'- 8"
21'	23' 5"	20'-6 1/2"	18'- 8"
22'	24' 5"	21'-6 1/2"	19'- 8"

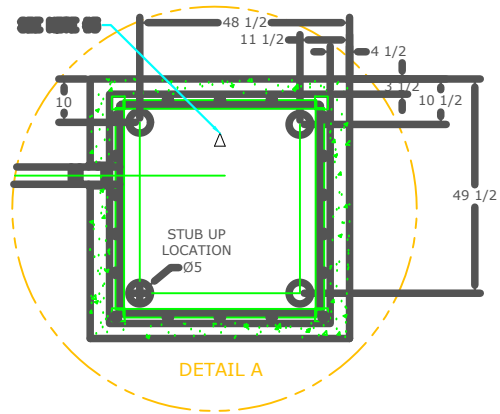
NOT FOR CONSTRUCTION

NOTES:

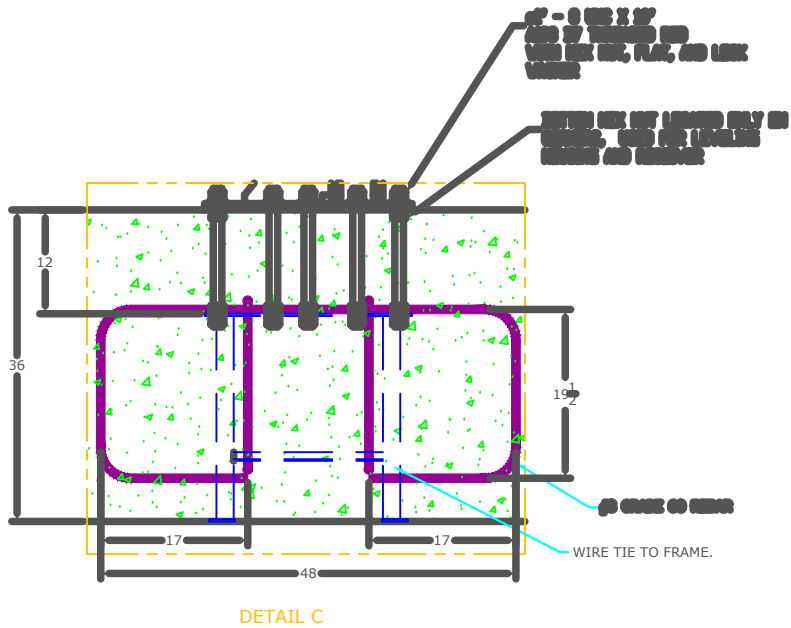
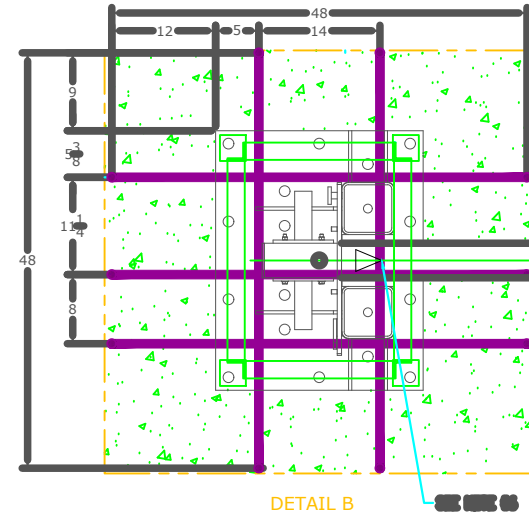
1. ALL CONCRETE AND REBAR WORK SHALL BE IN ACCORDANCE WITH ACI 318 AND ALL APPLICABLE CODES AND STANDARDS ENFORCED BY THE LOCAL BUILDING AUTHORITY.
2. REBAR SHALL BE #8 (1" NOMINAL) ASTM A615 GRADE 60.
3. REBAR MAY BE SHIFTED LATERALLY ±4" AS REQUIRED TO AVOID INTERFERENCE.
4. CONCRETE SHALL HAVE A MINIMUM COMPRESSIVE STRENGTH OF 5,000 PSI AFTER 28 DAYS.
5. INSTALL HOUSING FOUNDATION STAND WITH ARROW POINTING TOWARDS ATTACK SIDE OF BARRIER (OPPOSITE OF HOUSING DOOR).
6. INSTALL RECEIVER FOUNDATION STAND WITH ARROW POINTING TOWARDS BARRIER HOUSING.



PROPRIETARY INFORMATION This drawing is the proprietary property of AMERISTAR, Tulsa, OK and must not be duplicated or used in whole or in part for the making of drawings, prints or parts to the detriment of, or harm to, the owner. In accepting this drawing, the recipient agrees to keep the information contained confidential.		1555 N. Mingo Tulsa, OK 74116 1-888-333-3422 www.ameristarfence.com	
		TITLE: DEEP MOUNT FOUNDATION	
DATE: 6/12/2019	SCALE: N.T.S.	SHEET: 2/5	
DRN BY: APX	CHK BY: xxxxxxxxx	REV: b	
DRAWING NO: WEBSITE			

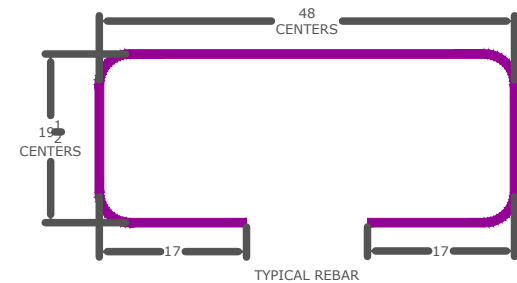


NOT FOR CONSTRUCTION



NOTES:

1. ALL CONCRETE AND REBAR WORK SHALL BE IN ACCORDANCE WITH ACI 318 AND ALL APPLICABLE CODES AND STANDARDS ENFORCED BY THE LOCAL BUILDING AUTHORITY.
2. REBAR SHALL BE #8 (1" NOMINAL) ASTM A615 GRADE 60.
3. REBAR MAY BE SHIFTED LATERALLY ±4" AS REQUIRED TO AVOID INTERFERENCE.
4. CONCRETE SHALL HAVE A MINIMUM COMPRESSIVE STRENGTH OF 5,000 PSI AFTER 28 DAYS.
5. INSTALL HOUSING FOUNDATION STAND WITH ARROW POINTING TOWARDS ATTACK SIDE OF BARRIER (OPPOSITE OF HOUSING DOOR).
6. INSTALL RECEIVER FOUNDATION STAND WITH ARROW POINTING TOWARDS BARRIER HOUSING.



PROPRIETARY INFORMATION

This drawing is the proprietary property of AMERISTAR, Tulsa, OK and must not be duplicated or used in whole or in part for the making of drawings, prints or parts to the detriment of, or harm to, the owner. In accepting this drawing, the recipient agrees to keep the information contained confidential.



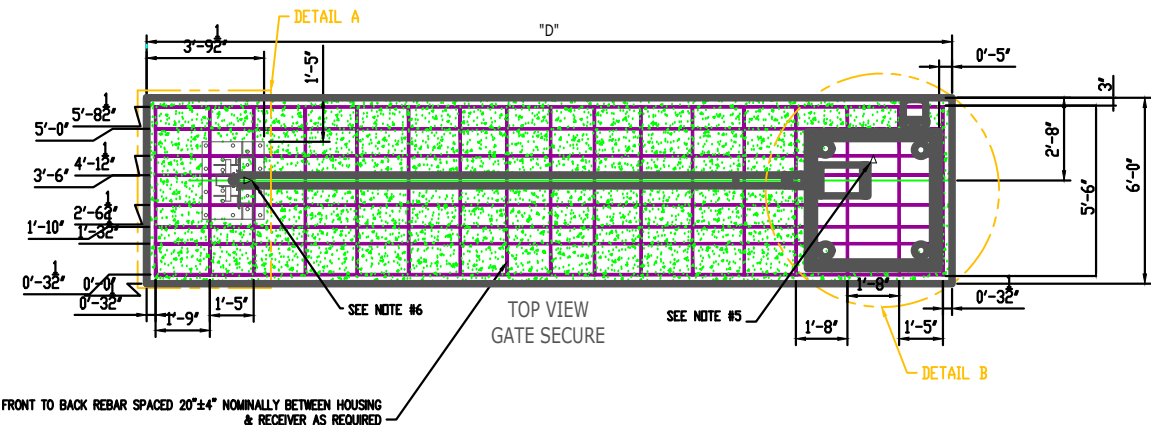
AMERISTAR ©

1555 N. Mingo
Tulsa, OK 74116
1-888-333-3422
www.ameristarfence.com

TITLE: DEEP MOUNT TEMPLATE

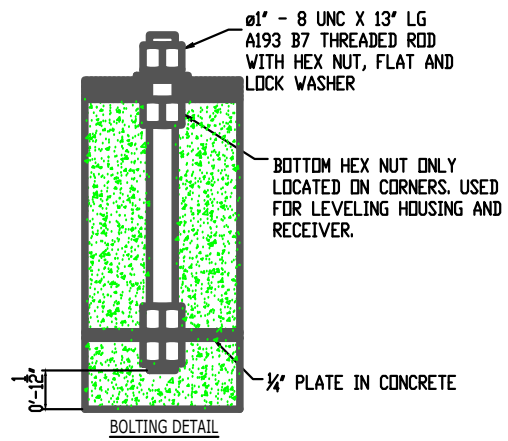
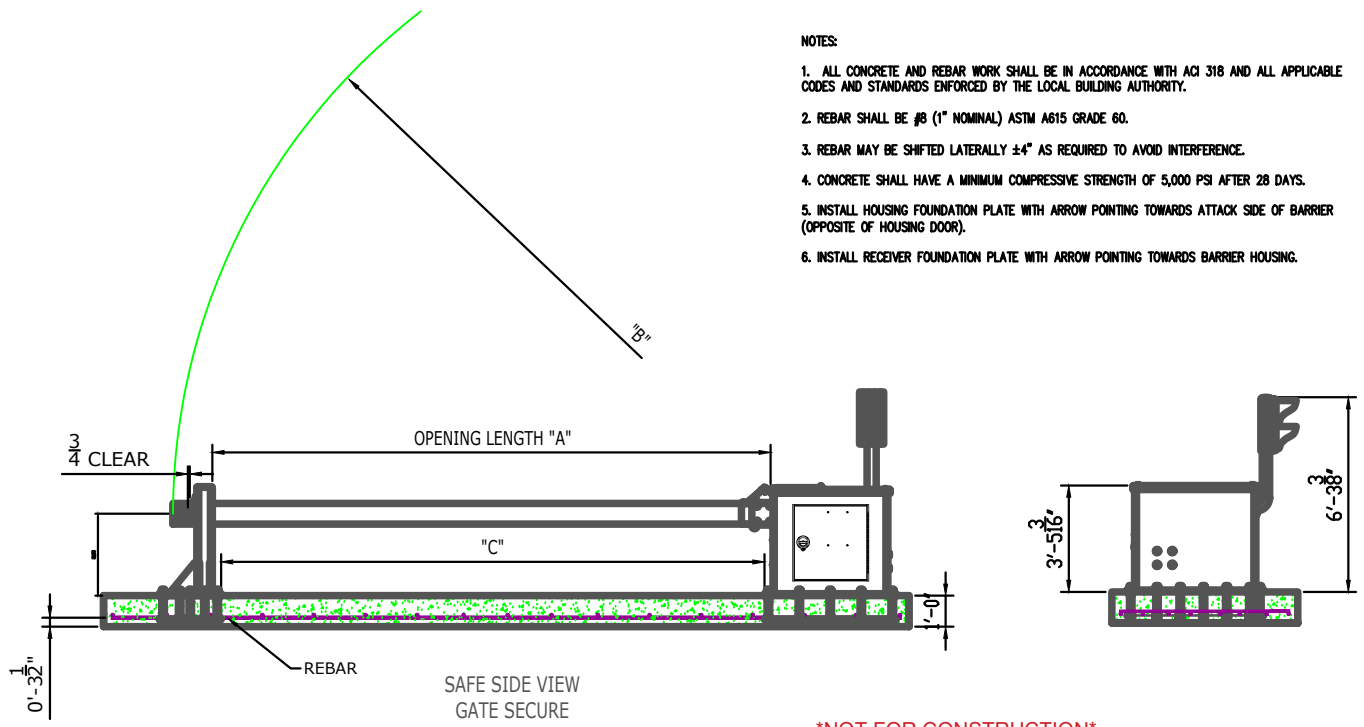
DATE: 6/12/2019	SCALE: N.T.S.	SHEET: 3/5
DRN BY: APX	CHK BY: xxxxxxxx	REV: a

DRAWING NO: Website



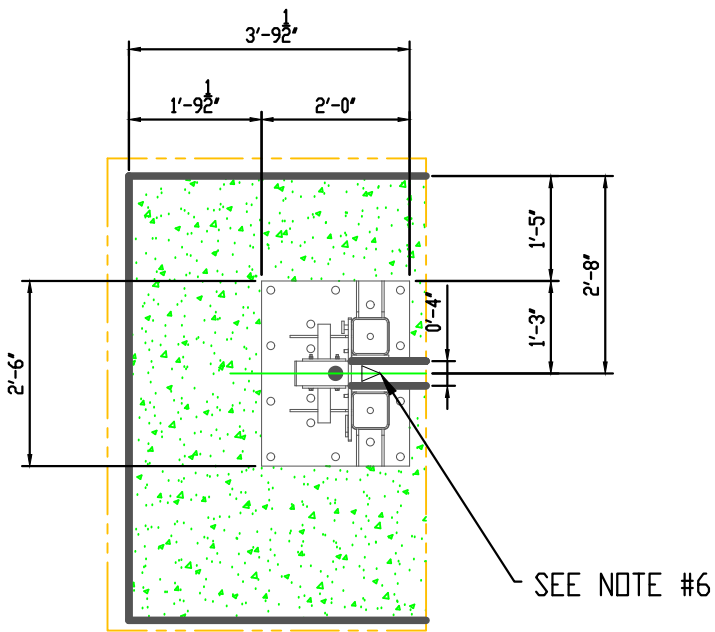
OPENING LENGTH 'A'	NOM. OPENING RADIUS 'B'	PLATE CLEARANCE 'C'	CONCRETE 'D'	LONG REBAR LENGTH	SHORT REBAR QTY.
10'	12' 5"	09'-6 1/2"	18'	209'	12
11'	13' 5"	10'-6 1/2"	19'	221'	13
12'	14' 5"	11'-6 1/2"	20'	233'	13
13'	15' 5"	12'-6 1/2"	21'	245'	14
14'	16' 5"	13'-6 1/2"	22'	257'	15
15'	17' 5"	14'-6 1/2"	23'	269'	15
16'	18' 5"	15'-6 1/2"	24'	281'	16
17'	19' 5"	16'-6 1/2"	25'	293'	16
18'	20' 5"	17'-6 1/2"	26'	305'	17
19'	21' 5"	18'-6 1/2"	27'	317'	18
20'	22' 5"	19'-6 1/2"	28'	329'	18
21'	23' 5"	20'-6 1/2"	29'	341'	19
22'	24' 5"	21'-6 1/2"	30'	353'	19

- NOTES:
1. ALL CONCRETE AND REBAR WORK SHALL BE IN ACCORDANCE WITH ACI 318 AND ALL APPLICABLE CODES AND STANDARDS ENFORCED BY THE LOCAL BUILDING AUTHORITY.
 2. REBAR SHALL BE #8 (1" NOMINAL) ASTM A615 GRADE 60.
 3. REBAR MAY BE SHIFTED LATERALLY ±4" AS REQUIRED TO AVOID INTERFERENCE.
 4. CONCRETE SHALL HAVE A MINIMUM COMPRESSIVE STRENGTH OF 5,000 PSI AFTER 28 DAYS.
 5. INSTALL HOUSING FOUNDATION PLATE WITH ARROW POINTING TOWARDS ATTACK SIDE OF BARRIER (OPPOSITE OF HOUSING DOOR).
 6. INSTALL RECEIVER FOUNDATION PLATE WITH ARROW POINTING TOWARDS BARRIER HOUSING.

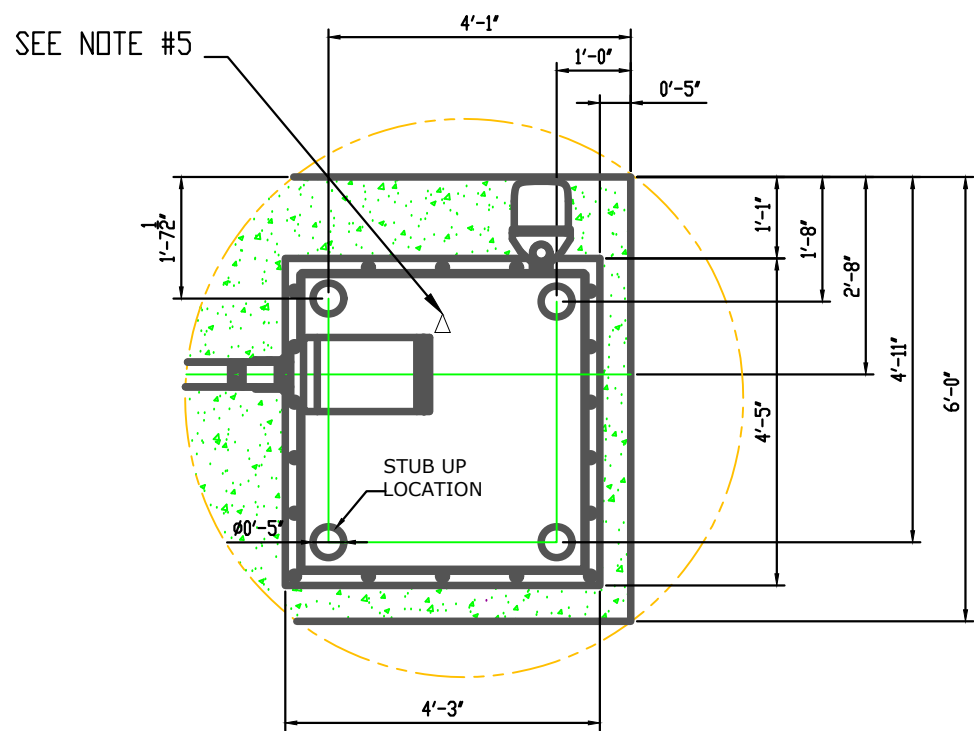


NOT FOR CONSTRUCTION

PROPRIETARY INFORMATION This drawing is the proprietary property of AMERISTAR, Tulsa, OK and must not be duplicated or used in whole or in part for the making of drawings, prints or parts to the detriment of, or harm to, the owner. In accepting this drawing, the recipient agrees to keep the information contained confidential.			1555 N. Mingo Tulsa, OK 74116 1-888-333-3422 www.ameristarfence.com
	TITLE: SHALLOW MOUNT FOUNDATION		
DATE: 6/12/2019	SCALE: N.T.S.	SHEET: 4/5	
DRN BY: APX	CHK BY: xxxxxxxxx	REV: b	
DRAWING NO: Website			



DETAIL A




DETAIL B

NOT FOR CONSTRUCTION

NOTES:

1. ALL CONCRETE AND REBAR WORK SHALL BE IN ACCORDANCE WITH ACI 318 AND ALL APPLICABLE CODES AND STANDARDS ENFORCED BY THE LOCAL BUILDING AUTHORITY.
2. REBAR SHALL BE #8 (1" NOMINAL) ASTM A615 GRADE 60.
3. REBAR MAY BE SHIFTED LATERALLY ±4" AS REQUIRED TO AVOID INTERFERENCE.
4. CONCRETE SHALL HAVE A MINIMUM COMPRESSIVE STRENGTH OF 5,000 PSI AFTER 28 DAYS.
5. INSTALL HOUSING FOUNDATION PLATE WITH ARROW POINTING TOWARDS ATTACK SIDE OF BARRIER (OPPOSITE OF HOUSING DOOR).
6. INSTALL RECEIVER FOUNDATION PLATE WITH ARROW POINTING TOWARDS BARRIER HOUSING.

PROPRIETARY INFORMATION <small>This drawing is the proprietary property of AMERISTAR, Tulsa, OK and must not be duplicated or used in whole or in part for the making of drawings, prints or parts to the detriment of, or harm to, the owner. In accepting this drawing, the recipient agrees to keep the information contained confidential.</small>			1555 N. Mingo Tulsa, OK 74116 1-888-333-3422 www.ameristarfence.com
	TITLE: SHALLOW MOUNT TEMPLATE		
DATE: 6/12/19	SCALE: N.T.S.	SHEET: 5/5	
DRN BY: APX	CHK BY: xxxxxxxx	REV: b	
DRAWING NO: Website			