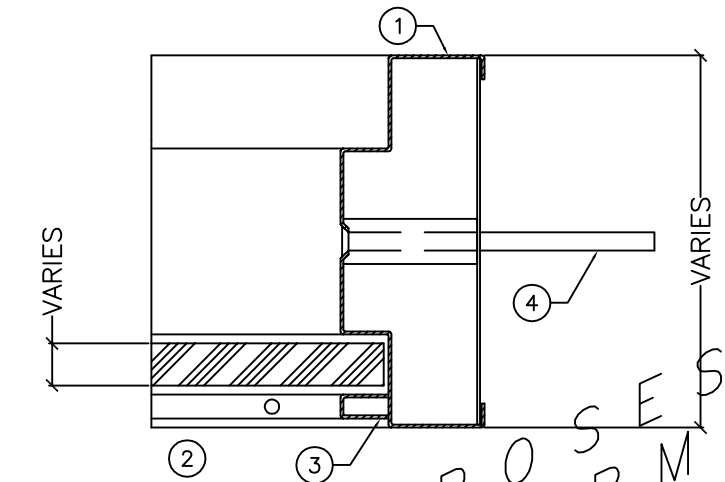


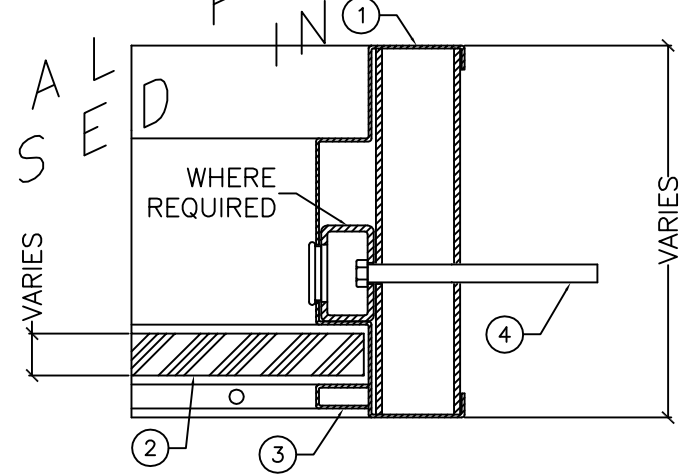
FOR NOT INFORMATION

ELEVATION

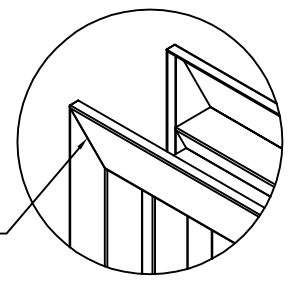
3/4" = 1'-0"



LOW LEVEL BLAST FRAME DETAIL



MEDIUM - HIGH LEVEL BLAST FRAME DETAIL



DETAIL "A"

3" = 1'-0"

LEGEND:

1. BLAST RESISTANT STEEL FRAME
2. BLAST RESISTANT GLASS
3. REMOVABLE GLAZING BEADS
4. ANCHOR

NOTE:

- BLAST RESISTANT CAPABILITY IS DETERMINED BY SIZE AND PERFORMANCE REQUIREMENTS
- ARCHITECT/CONTRACTOR TO ENSURE WALL CAN RESIST POINT LOAD APPLIED BY FRAME ANCHORS
- QUANTITY AND TYPE OF ANCHORS DEPENDS ON WALL CONSTRUCTION AND PERFORMANCE REQUIREMENTS



DRAWING TITLE:

TYPICAL BLAST RESISTANT BORROWED LITE SINGLE UNIT

DATE:	-
DRAWN BY:	-
REVISION:	