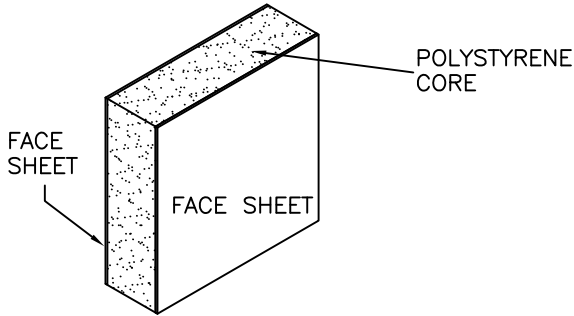


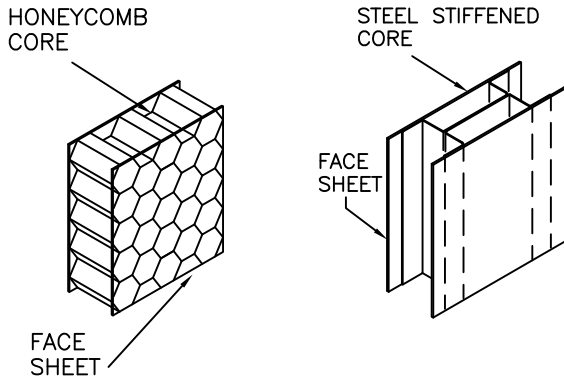
ASSA ABLOY

1-3/4" ARMORSHIELD (AP) POLYSTYRENE FOAM CORE
 (OPTIONAL - (AI) HONEYCOMB CORE) OR (OPTIONAL - (AS) STEEL STIFFENED CORE)
 UL LISTED BULLET RESISTANT DOOR and FRAME SYSTEM

TESTED IN ACCORDANCE WITH UL STANDARD FOR SAFETY
 BULLET RESISTANT EQUIPMENT TEST: UL752



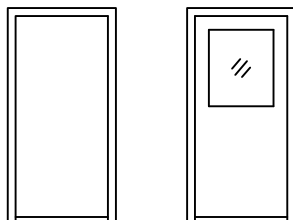
The ArmorShield system is rated for super power small arms (SPSA) and is intended for architectural environments with equivalent bullet resistance. The system has not been tested for resistance to forced entry. Field assembly is required as is preparation for surface applied hardware. System must be installed securely by contractor in a manner to achieve the intended functional operation and appearance. The polystyrene core provides excellent insulation characteristics making the system a good choice for exterior use.



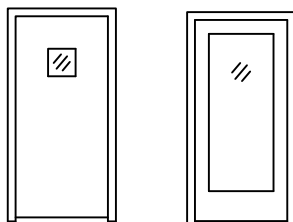
Suggested Use:
 Interior or Exterior ...

*Public Utility Field Buildings, Box Offices,
 Cashier Islands, Currency Exchanges,
 Ticket Booths*

DOOR DESIGNS



F G



V FG

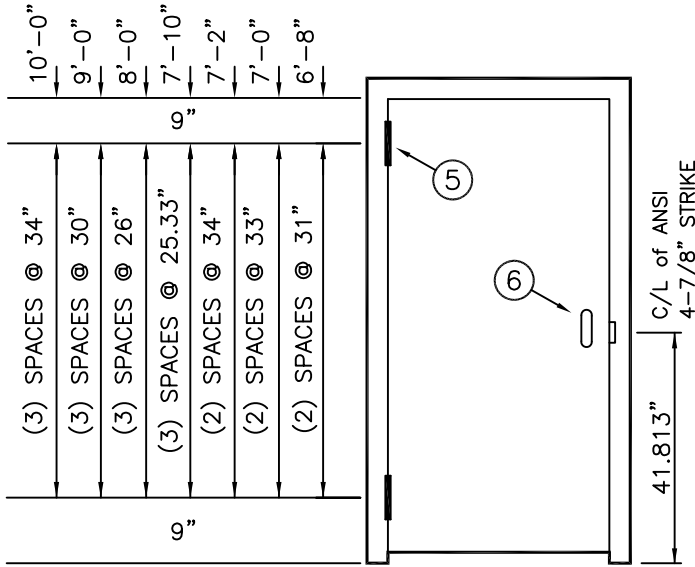
BALLISTIC LEVEL	WEAPON TYPE	BULLET TYPE	BULLET VELOCITY	MUZZLE ENERGY
I	9mm	FULL METAL JACKET 124gr	1234 ft/s	380-460 ft/lbs
II	.357 Mag.	JACKETED LEAD POINT 158gr	1312 ft/s	743-889 ft/lbs
III	.44 Mag.	LEAD SOFT POINT 240gr	1417 ft/s	1370-1593 ft/lbs

D7-1

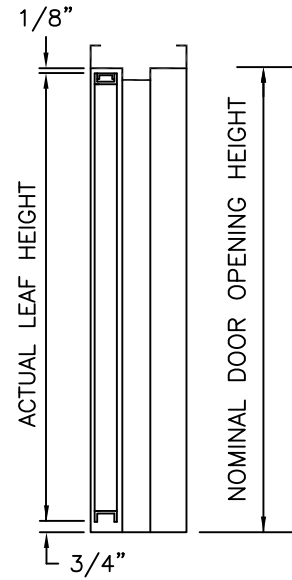
08/20/19

D7-2

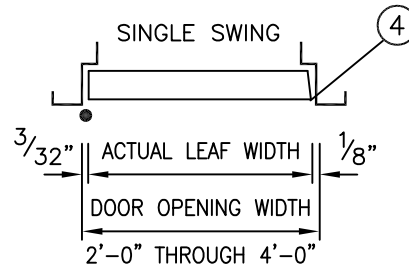
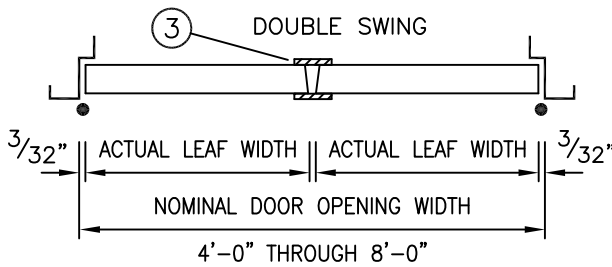
Hardware locations shown match Ceco standard frames.



ELEVATION



VERTICAL SECTION

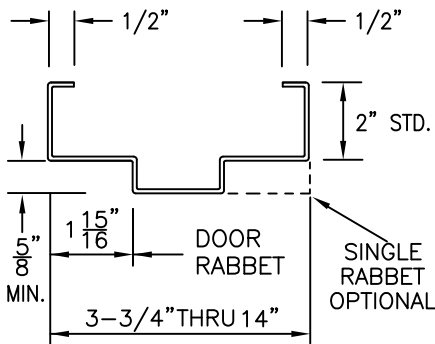


HORIZONTAL SECTIONS

(Conversion: 1" = 25.4 mm, e.g., 1-3/4" = 44.45 mm)

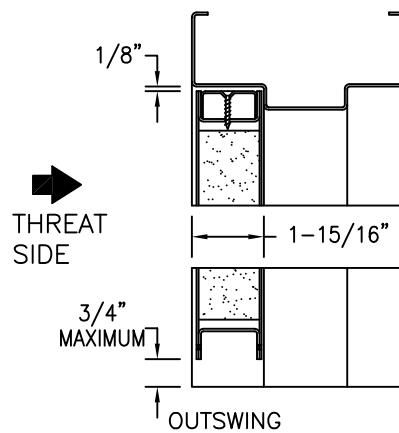
TYPICAL PROFILE

Double rabbet shown, single available
(Frame corners are welded)

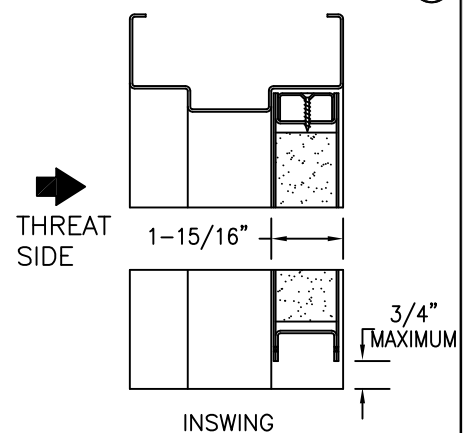


4" FACE FRAME HEAD OPTIONAL

VERTICAL SECTION



VERTICAL SECTION



⑦



ASSA ABLOY

08/20/19

Experience a safer
and more open world

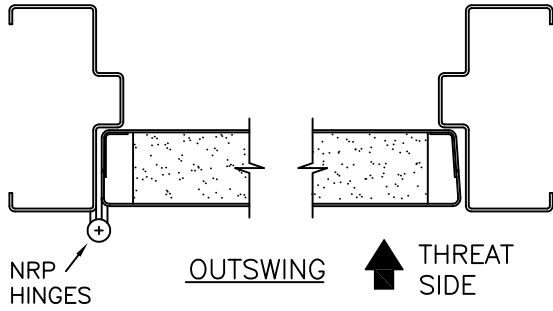
TECH-DATA

ARMORSHIELD LEVEL 1-3 DOOR SYSTEM

D7-3

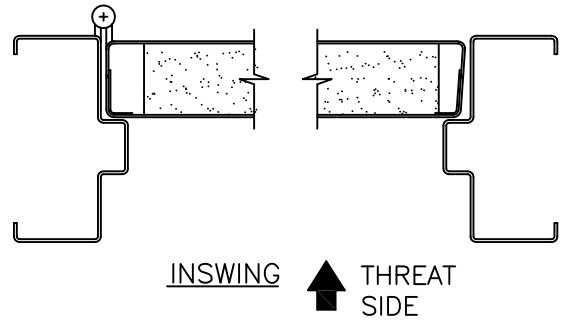
HORIZONTAL SECTION

①



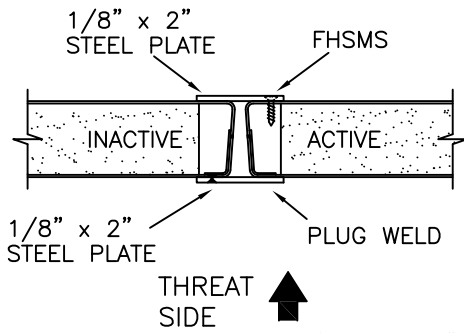
HORIZONTAL SECTION

②



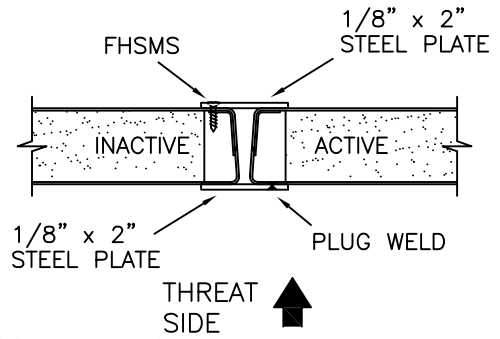
ASTRAGAL FOR MEETING STILES—INSWING (STANDARD)

③



ASTRAGAL FOR MEETING STILES—OUTSWING (STANDARD)

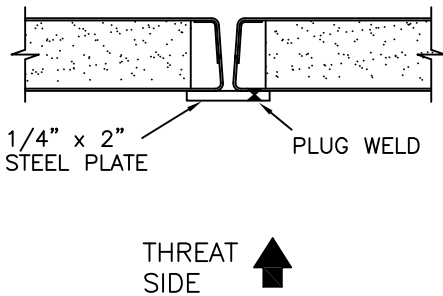
③



(Conversion: 1" = 25.4 mm, e.g., 1-3/4" = 44.45 mm)

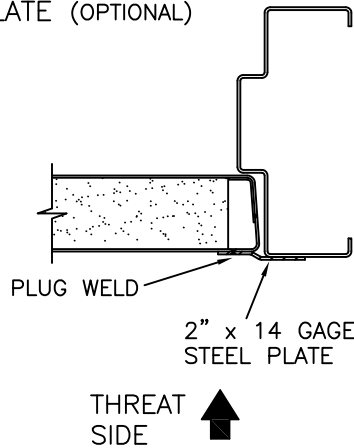
OUTSWING PAIR PROTECTION PLATE (OPTIONAL)

③



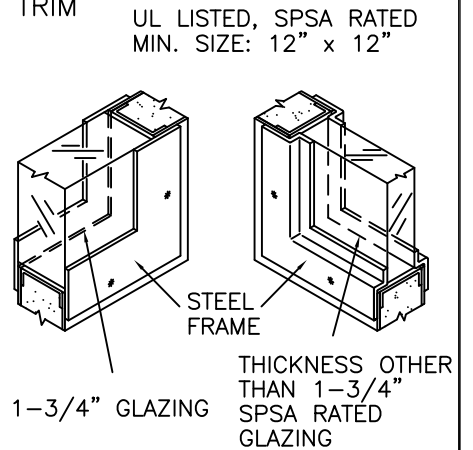
LOCK JAMB PROTECTION PLATE (OPTIONAL)

④



GLAZING TRIM

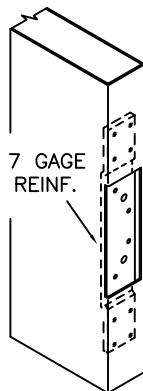
⑨



HINGE PREPARATION

⑤

4-1/2" OR 5" HIGH, HEAVY WEIGHT FULL MORTISE HINGES



ANSI A156.7 TEMPLATE

LOCK EDGE IS BEVELED 1/8" IN 2" (1:16)
HINGE EDGE IS SQUARE

DOORS OVER 3070 REQUIRE 5" x .190 HINGES.

LOCK PREPARATION GOV. 86-4 MORTISE TYPE

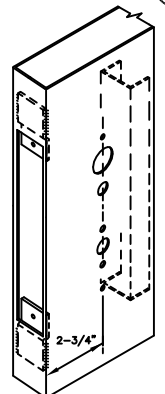
OPTIONAL LOCK

- CYLINDRICAL
- RIM EXIT
- MORTISE EXIT

(LM2) (ANSI A115.1) 2-3/4" BACKSET

(LM0) SIMILAR TO DETAIL LESS FACE CUTOUT

⑥



08/20/19

Experience a safer and more open world

CecoDoor
ASSA ABLOY

D7-4

MASONRY "T" ANCHOR (ADJUSTABLE)
MT

FOR STANDARD DEPTHS SHOWN BELOW.

Snap-in type

3-3/4", 4-1/4", 4-3/4", 5-1/4" AND 5-3/4" DEPTHS

MASONRY "T" ANCHOR
MT

FOR SPECIAL DEPTHS AND OVERSIZE FRAMES

CAN VARY

Snap-in type

FOR DEPTHS OTHER THAN STANDARD

YOKE AND STRAP MASONRY ANCHOR
YS

Welded type

Available on special order only

WIRE MASONRY ANCHOR
WMA

FOR STANDARD AND SPECIAL DEPTH FRAMES

Snap-in type

(For 3" thru 8-3/4" Depths)

FLOOR ANCHOR
SA

STANDARD DOUBLE RABBET ONE PIECE ANCHOR

SINGLE RABBET DOUBLE EGRESS

STANDARD ANCHOR

Welded type

SLFA
(Optional)

IN-FIELD: FASTEN ANCHOR TO FLOOR. SLIP-FIT FRAME OVER ANCHOR

SIDELITE FLOOR ANCHOR

METAL STUD "Z" ANCHOR
MSZ1

FOR STANDARD AND SPECIAL DEPTH FRAMES

Welded type

5/8"

METAL STUD "Z" ANCHOR
MSZ2

FOR STANDARD AND SPECIAL DEPTH FRAMES

DESIGNATE WALL CONFIGURATION SO THAT PROPER POCKET CAN BE PROVIDED

Welded type

Flush with stud

WOOD STUD "Z" STRAP ANCHOR
WSZS

FOR STANDARD AND SPECIAL DEPTH FRAMES

DESIGNATE WALL CONFIGURATION SO THAT PROPER POCKET CAN BE PROVIDED

Welded type

5/8"

BY OTHERS

(Used also for METAL STUD Walls)

EXISTING OPENING ANCHOR
EO/N

FOR STANDARD AND SPECIAL DEPTH FRAMES

Welded type

DEPTHS OVER 14" REQUIRE TWO EO/N ANCHORS PLACED ACROSS SOFFIT

(Conversion: 1" = 25.4 mm, e.g., 1-3/4" = 44.45 mm)

EXISTING OPENING ANCHOR (STANDARD)
EO

FOR STANDARD AND SPECIAL DEPTH FRAMES

Snap-in type

2"

SU	EO/S6: 4-3/4" thru 6-3/4" depth
EO/S8:	6-7/8" thru 8-3/4" depth
SQ	EO/S6: 5-1/8" thru 6-3/4" depth
EO/S8:	6-7/8" thru 8-3/4" depth

EXISTING OPENING ANCHOR
EO

FOR STANDARD AND SPECIAL DEPTH FRAMES

Welded type

Available on special order only

08/20/19

Experience a safer and more open world

D7-5

PRODUCT SPECIFICATIONS:

1-3/4" Thick steel doors shall be by Ceco Door Products. Door shall conform to the Steel Door Institute guide specification, ANSI A250.8 and NAAMM 867 specifications. See chart below for performance classifications.

STANDARD SIZES NOMINAL DOOR OPENING

WIDTH		HEIGHT
SINGLE	DOUBLE	
2'-0"	4'-0"	6'-8" 7'-0" 7'-2" 7'-10" 8'-0" 9'-0" 10'-0"
2'-4"	4'-8"	
2'-6"	5'-0"	
2'-8"	5'-4"	
2'-10"	5'-8"	
3'-0"	6'-0"	
3'-4"	6'-8"	
3'-6"	7'-0"	
3'-8"	7'-4"	
3'-10"	7'-8"	
4'-0"	8'-0"	

FOR OPENINGS GREATER THAN 4'0" IN WIDTH OR 10'0" IN HEIGHT, CONSULT FACTORY.

FIRE DOORS

LABELING AGENCY:

UNDERWRITERS LABORATORY

TEST: UL 10B, UL 10C, UL 1784, & NFPA 252

STEEL STIFFENED CORE

20 MIN., 3/4 HOUR, 1 HOUR & 1-1/2 HOUR

SINGLE SWING

•MAX. SIZE 4'0" X 8'0"

•MORTISE LOCK or MORTISE EXIT

PAIRS NOT AVAILABLE

•GLASS LITES & LOUVERS NOT AVAILABLE

The **Armorshield system** is listed in the UL Burglary Protection Directory and complies with Standard for Safety Bullet Resisting Test, UL752. Doors and frames must be supplied together and are commercial quality cold rolled steel conforming to ASTM A1008 ...or (optional) hot-dipped galvanized or galvanized steel conforming to ASTM A653 and A924.

Armorshield doors are seamless design. Door face sheets are joined at their vertical edge with a center seam that is welded the full height of door. Welds are ground, filled, and dressed smooth. Seams are invisible and surface is smooth. Face sheets are totally supported by a 0.7 LB/CF density styrene core chemically bonded to interior surface. As an option, Kraft honeycomb core or steel stiffened core is available as well. The top of the door is closed flush with a cap screwed into a welded-in inverted channel. The bottom of the door is closed with an inverted channel welded to both face sheets.

Armorshield frame profiles are double and single rabbet in depths from 3" through 14" of all welded corner construction. Jamb anchors for masonry and stud walls are available.

Armorshield glass lites are SPSA rated with steel framing.

Hardware Provisions: Hinge preparations are handed. Hinge edges are mortised for 4-1/2" (up to 3'0 x 7'0) or 5" high (over 3'0 x 7'0), heavy weight hinges. 7 gage steel hinge reinforcements are welded inside the door edge and are drilled and tapped for fasteners in accordance with ANSI A156.7. The lock edge has a standard bevel (1:16). Hinge edge is square. Lock edge is prepared for Gov. Series 86 or 160/161 locks in accordance with ANSI A115 (specify which). Architect note: Doors over 3070 require 5" x .190" hinges. Hardware is not required to be by Ceco Door.

Paint: 1-3/4" steel doors shall be provided with one coat of oven-cured neutral color primer paint. Primer coat shall conform with ANSI A250.10. The primer coat is a preparatory base for necessary finish painting. Colorstyle paint is not available applied to the door from the factory. Colorstyle paint is available with armorshield frames up to 4'0" x 8'0".

MATERIAL

ITEM	THICKNESS	COLD ROLLED STEEL	A60 GALV. STEEL
DOOR FACE SHEETS	12 GAUGE	STD.	OPT.
FRAME	12 GAUGE	STD.	OPT.

PERFORMANCE

Polystyrene Core Thermal Insulation:	Calculated R Factor = 6.35 (ASTM C518)
Physical Endurance /Level:	Meets ANSI A250.4 Performance Test, Level A (1,000,000 Cycles)

(Conversion: 1" = 25.4 mm, e.g., 1-3/4" = 44.45 mm)

CecoDoor

ASSA ABLOY

Experience a safer
and more open world

08/20/19